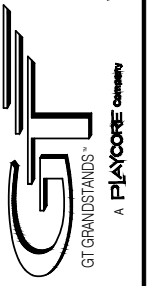


SEATING PLAN

SCALE: NONE

NET SEATS = 98

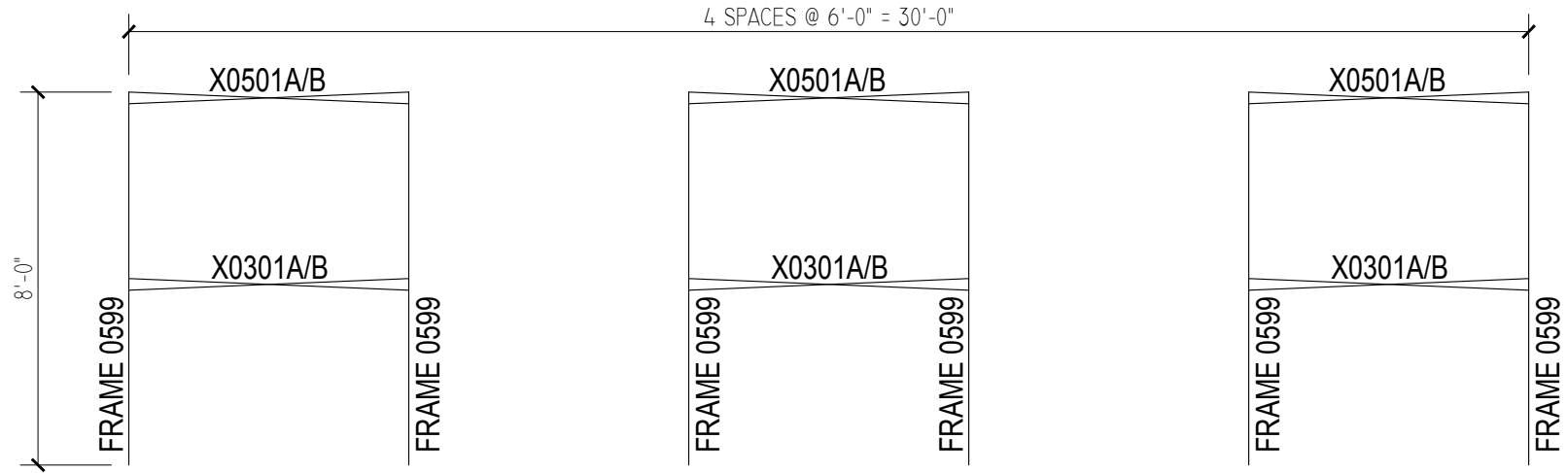
INSTALLATION NOTE :
ALIGN RAMP / STAIR RAIL POST WITH BLEACHER FRONT WALK RAIL POST TO AVOID INTERFERENCE WITH 2 LINE RAIL AND FENCE SYSTEMS. TYPICAL ON BOTH ENDS OF BLEACHER & BOTH RAMP / STAIR SYSTEMS



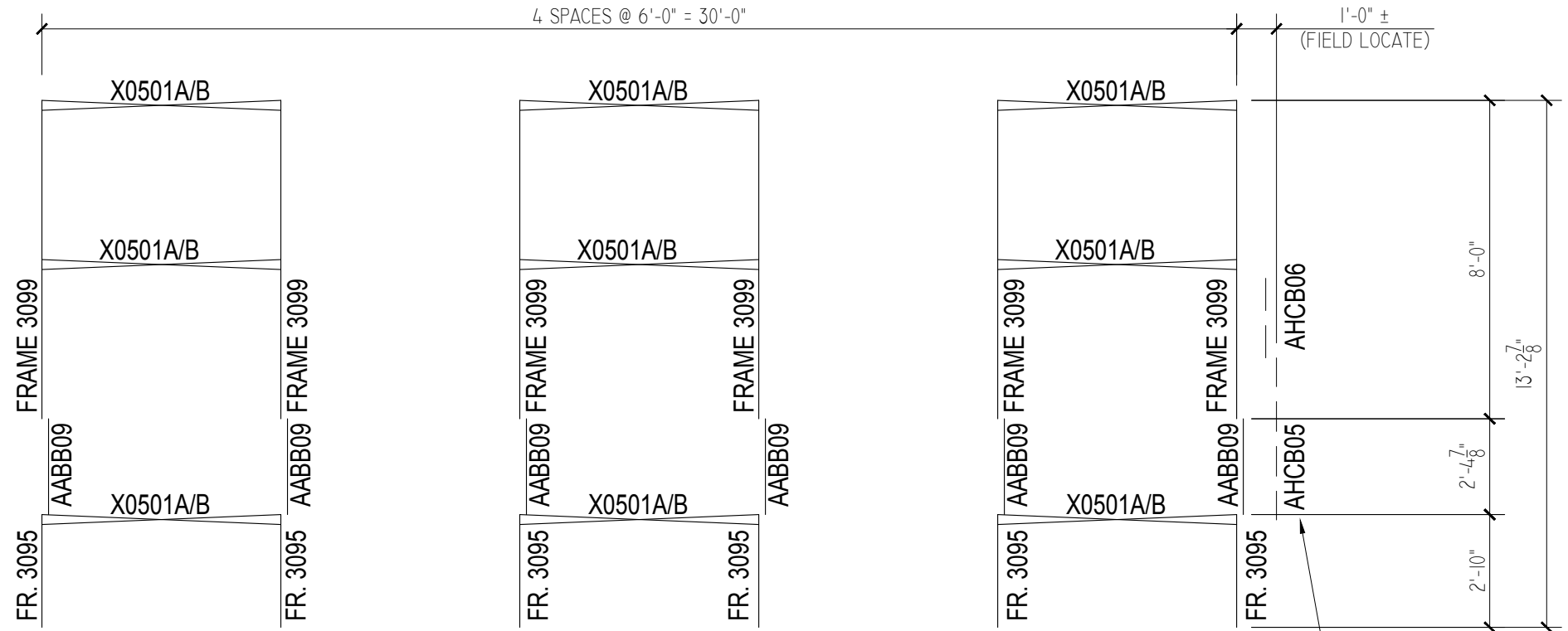
**FRAMING PLANS
ELEVATED 5 ROW BLEACHER
WITH AISLE**

**EL-0533ADC-A AND EL-0533GDC-A
OPTIONAL -MS (MUD SILLS)**

DRAWN BY
CHECKED BY
DATE MAY 2010
SCALE NOTED
JOB NO. EL-0533ADC-A EL-0533GDC-A
DWG NO.



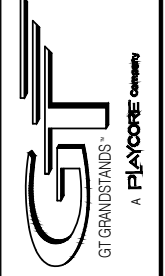
LEVEL 2 FRAMING PLAN



LEVEL 1 FRAMING PLAN

HC SEAT BATTENS (AHC B05 & AHC B06)
BOLT ASSEMBLY IN FIELD
(FOR HC MODELS ONLY)

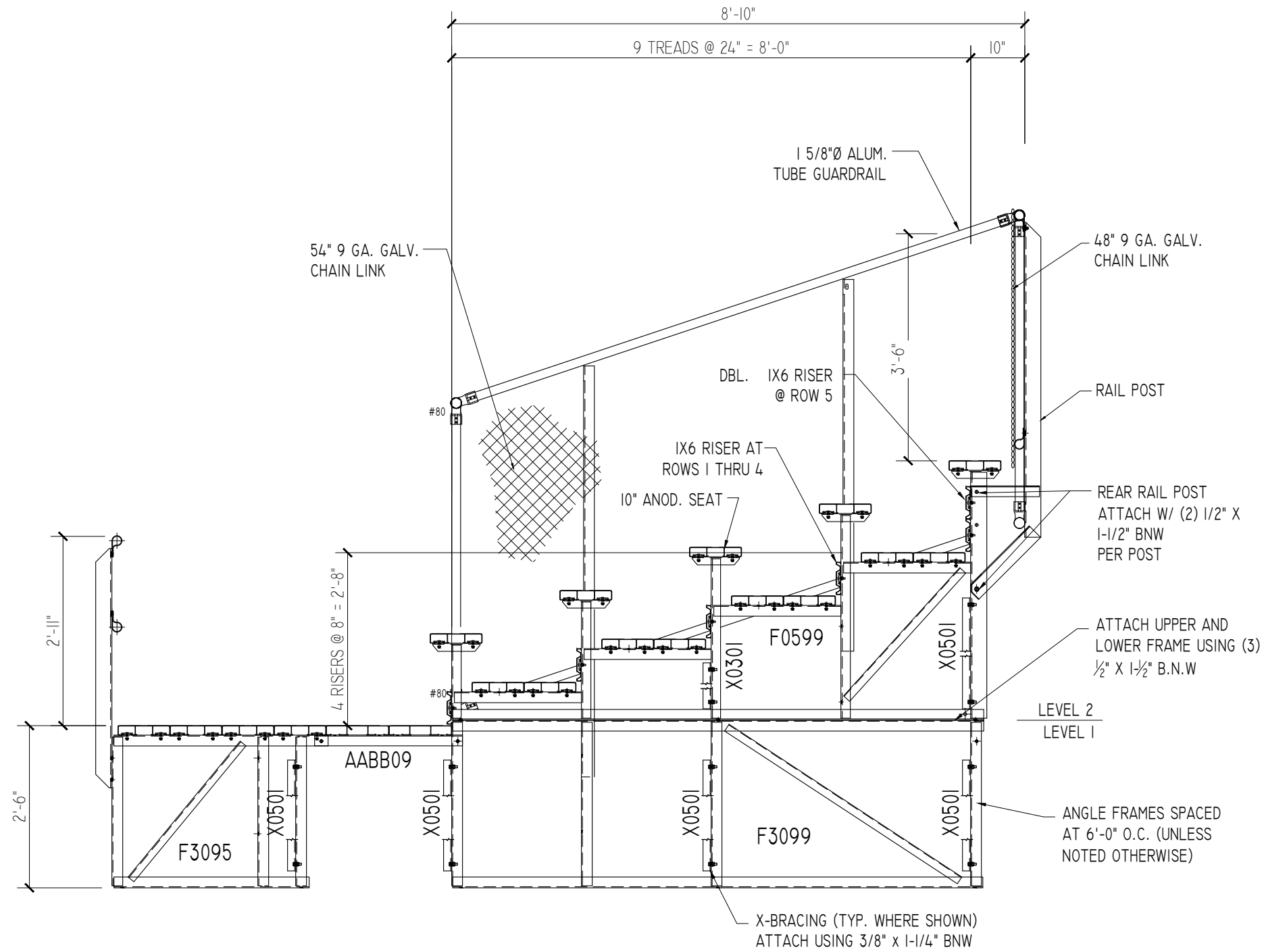
2810 Sydney Road
Plant City, Florida 33566
Phone: 813-305-1415
Fax: 813-305-1419
www.gtgrandstands.com



FRAMING PLANS
ELEVATED 5 ROW BLEACHER
WITH AISLE

EL-0533ADC-A AND EL-0533GDC-A
OPTIONAL -MS (MUD SILLS)
OPTIONAL - HC

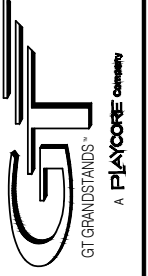
DRAWN BY
CHECKED BY
DATE MAY 2010
SCALE NOTED
JOB NO. EL-0533ADC-A EL-0533GDC-A
DWG NO.



TYPICAL SECTION THRU BLEACHER

SCALE: 1/2" = 1'-0"

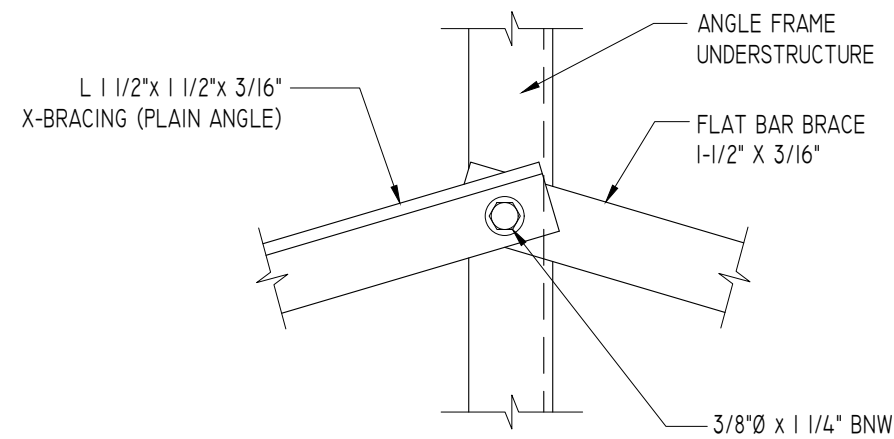
2810 Sydney Road
Plant City, Florida 33566
Phone: 813-305-1415
Fax: 813-305-1419
www.gtgrandstands.com



**SECTION THRU
ELEVATED 5 ROW BLEACHER
WITH AISLE**

**EL-05xxADC-A AND EL-05xxGDC-A
OPTIONAL -MS (MUD SILLS)**

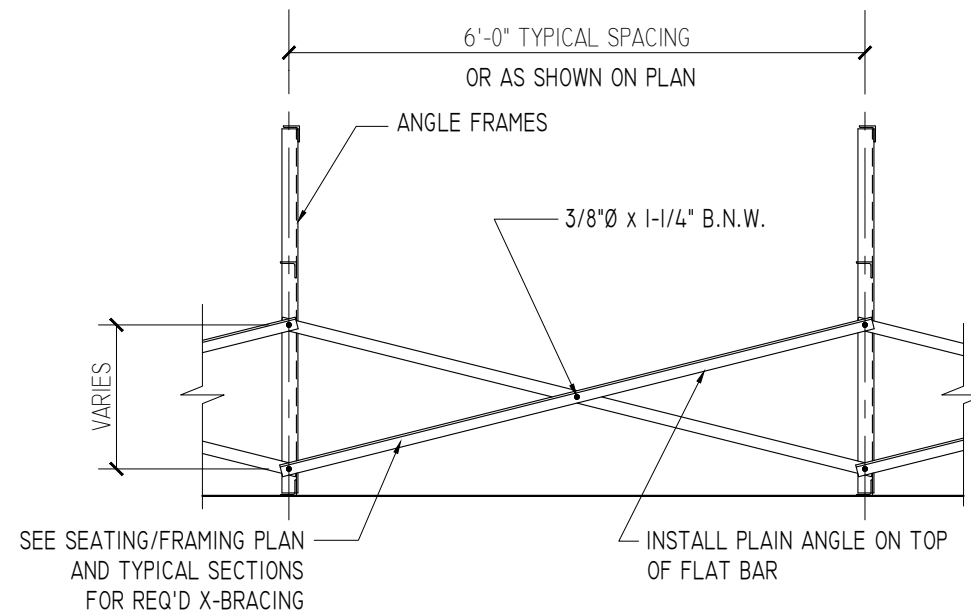
DRAWN BY
CHECKED BY
DATE MAY 2010
SCALE NOTED
JOB NO. EL-05xxADC-A EL-05xxGDC-A
DWG NO.



X-BRACE ASSEMBLY IS MADE UP OF (1) PLAIN ANGLE AND (1) FLAT BAR.

TYPICAL X-BRACE TO FRAME CONN.

SCALE: 3" = 1'-0"

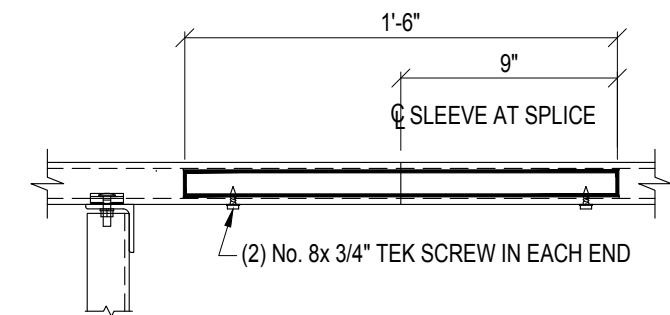
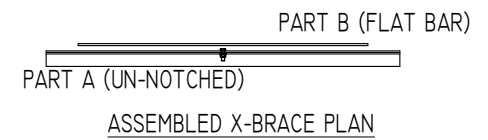


SEE SEATING/FRAMING PLAN AND TYPICAL SECTIONS FOR REQ'D X-BRACING

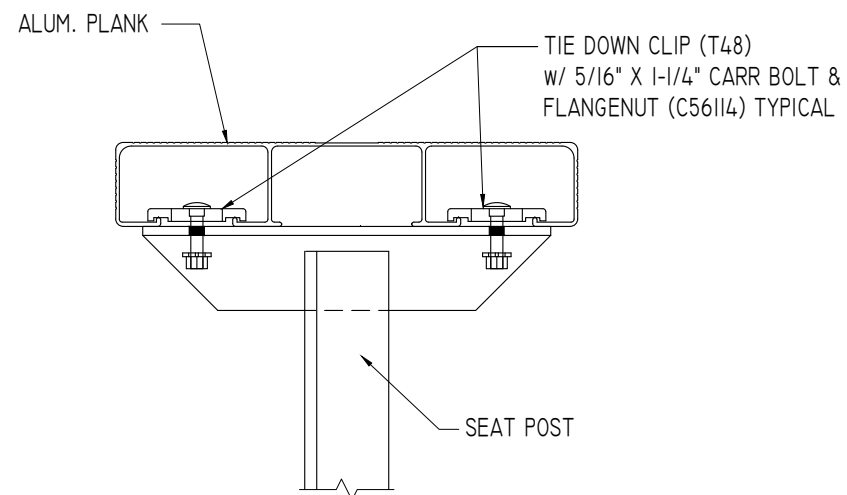
TYPICAL BRACING LAYOUT

SCALE: 1/2" = 1'-0"

PRE-ASSEMBLE X-BRACE SETS. EACH SET CONSISTS OF A 'PART A (PLAIN ANGLE)' AND A 'PART B (FLAT BAR)'. PLACE THE PIECES TOGETHER AT THE FLAT SIDES AND CONNECT USING A 3/8" x 1-1/4" B.N.W.

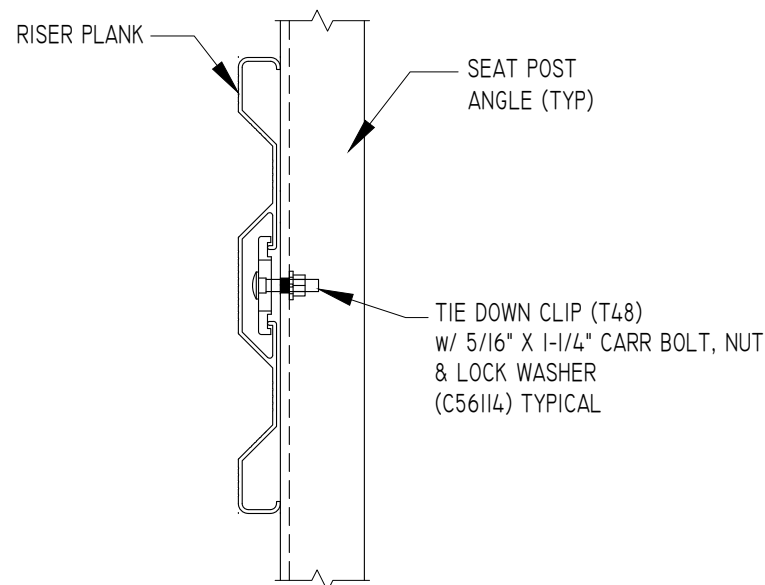


ALUMINUM SLEEVE DETAIL



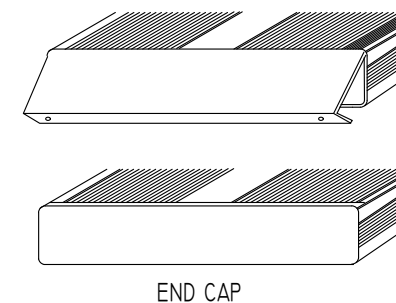
SEAT PLANK INSTALLATION

SCALE: 3" = 1'-0"



TYPICAL RISER INSTALLATION

SCALE: 3" = 1'-0"



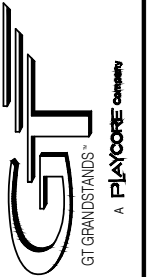
END CAP

1. LOCATE THE CHANNEL END CAP AS SHOWN, WITH THE WIDER FLANGE ON BOTTOM.
2. TAP THE CHANNEL INTO PLACE WITH A RUBBER Mallet OR SOFT WOOD.
3. DRILL (2) No. 8 x 3/4" TEK SCREWS THRU END CAP AND BOTTOM FLANGE OF PLANK
4. ENDCAPS WITH STICKERS ARE TO GO AT ENDS OF SEAT PLANKS, PLAIN ENDCAPS GO ON ALL OTHER BOARDS.

ENDCAP INSTALLATION DETAIL

SCALE: 3" = 1'-0"

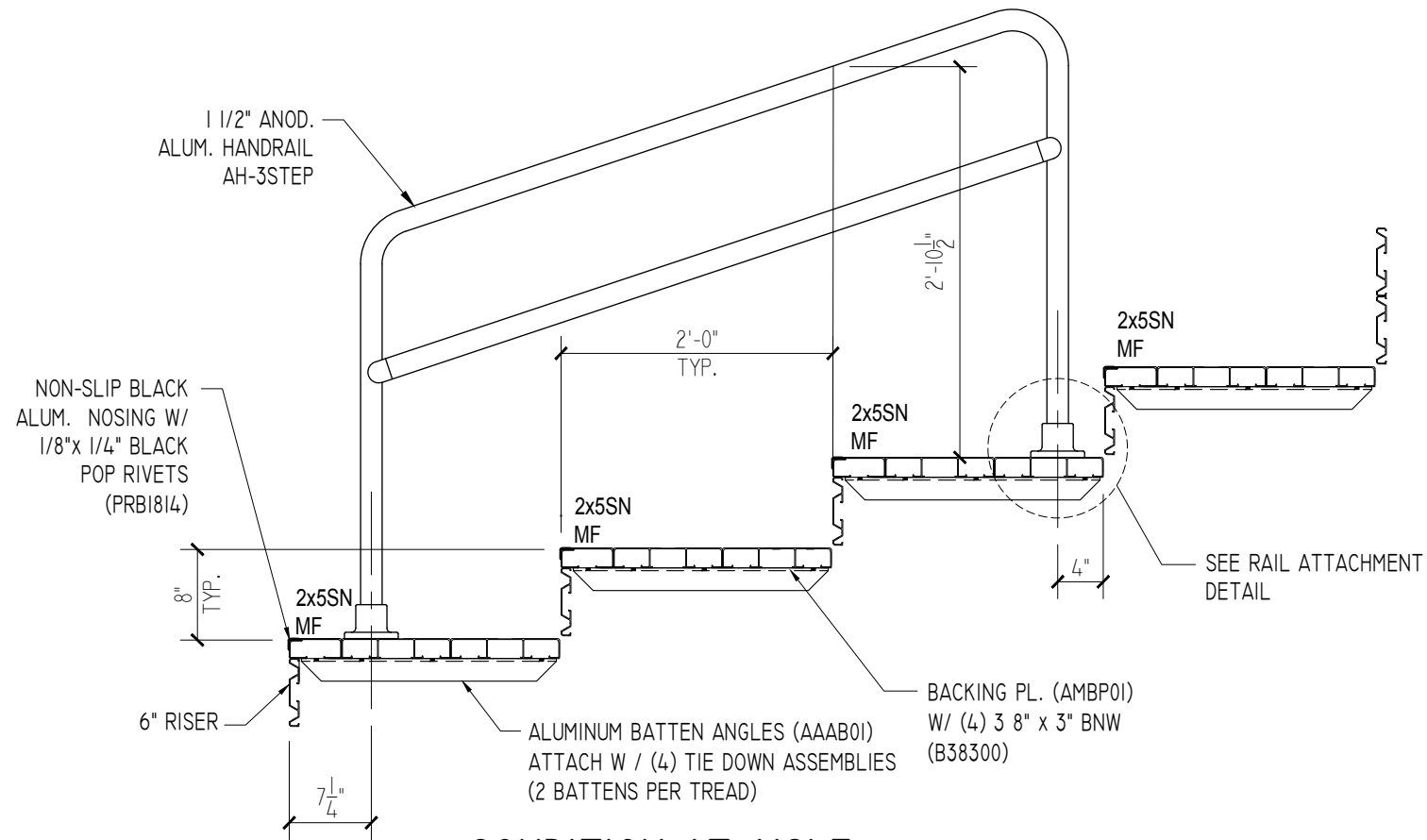
2810 Sydney Road
Plant City, Florida 33566
Phone: 813-305-1415
Fax: 813-305-1419
www.gtgrandstands.com



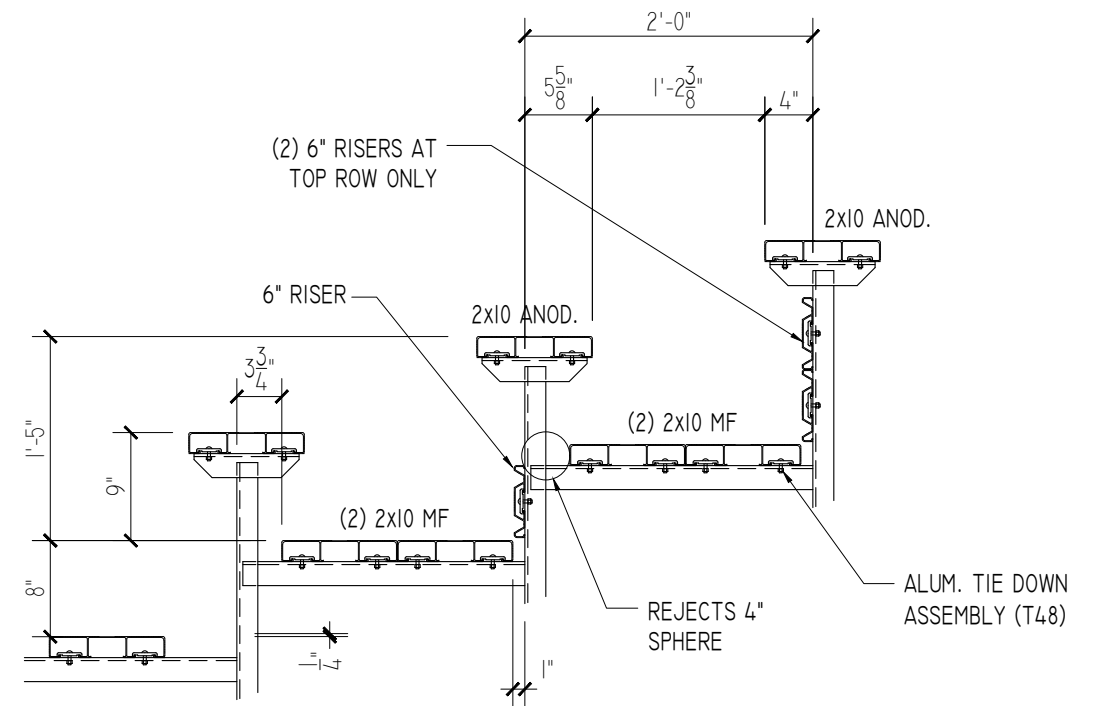
MISC. DETAILS
ELEVATED 5 ROW BLEACHER
WITH AISLE

EL-05xxADC-A AND EL-05xxGDC-A
OPTIONAL -MS (MUD SILLS)

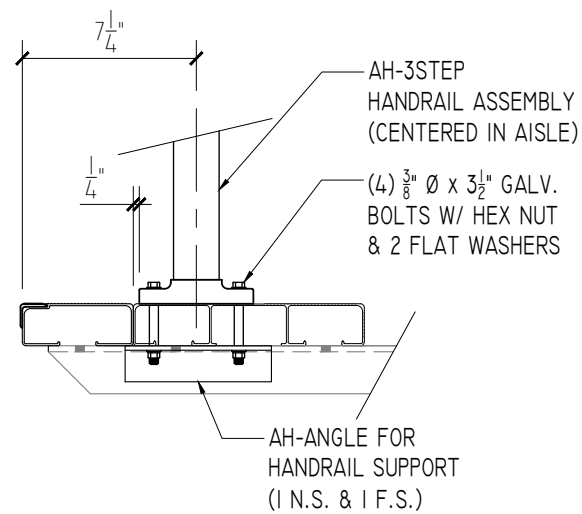
DRAWN BY
CHECKED BY
DATE
MAY 2010
SCALE
NOTED
JOB NO.
EL-05xxADC-A
EL-05xxGDC-A
DWG NO.



CONDITION AT AISLE
SCALE: 3/4" = 1'-0"

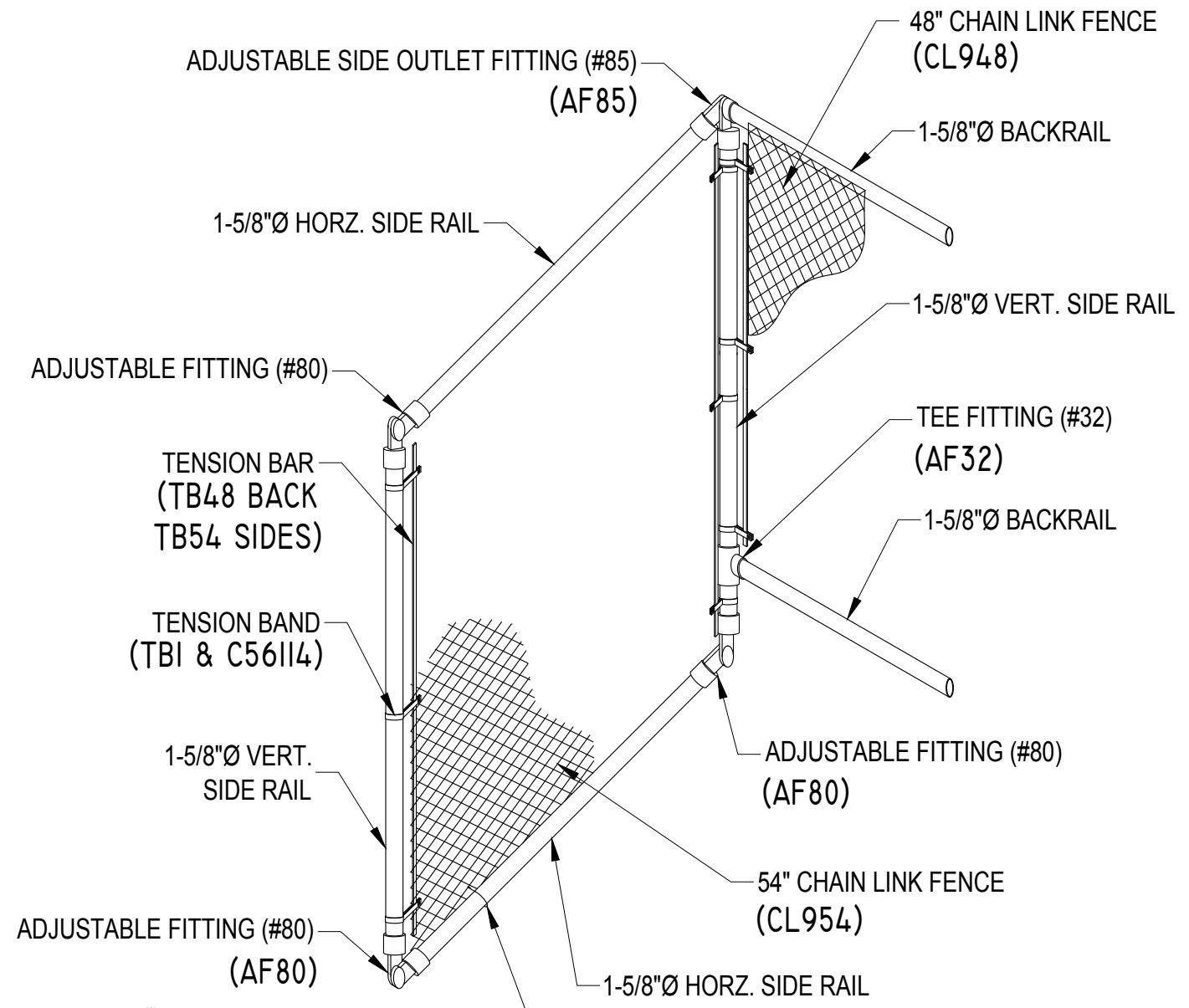


CONDITION AT SEATS
SCALE: 3/4" = 1'-0"



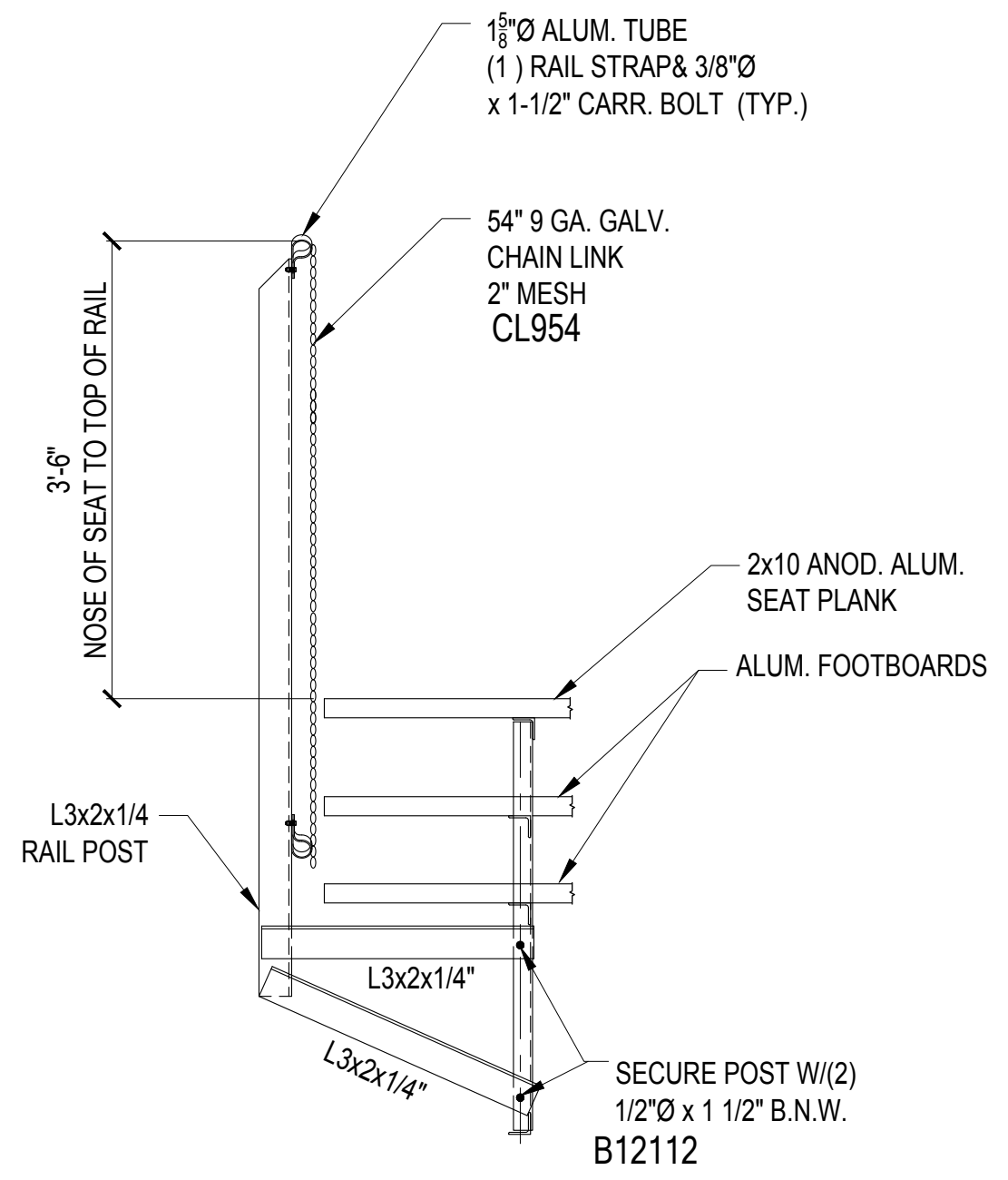
HANDRAIL CONNECTION DETAIL
SCALE: 1-1/2" = 1'-0"

ALIGN EDGE OF FLANGE APPROX. 1/2" FROM THE EDGE OF THE CONTINUOUS 2x10 FOOT PLANK (*ON FRONT APPLICATION DO NOT ALIGN WITH THE 2x5 AISLE STEP PLANK) SLIGHTLY ADJUST FLANGE LOCATION, IF NECESSARY, SO THAT THE BOLT HOLE IS NOT DRILLED INTO A VERTICAL LEG OF THE PLANK. DRILL Ø7/16" HOLES (FOR 3/8" BOLT). ASSEMBLE AS SHOWN IN ABOVE SPECIFIC DETAILS USING GALVANIZED BOLTS, FLAT WASHERS, AND FLANGE NUTS.



CAUTION:
 PARTS "HDSI" (1" WIDE) AND "TB1" (3/8" WIDE) ARE SIMILAR - CARE SHOULD BE TAKEN TO IDENTIFY THESE PARTS CORRECTLY.

ISOMETRIC VIEW
CONNECTION DETAIL OF BACK RAIL TO SIDE RAIL



RAIL POST CONNECTION DETAIL