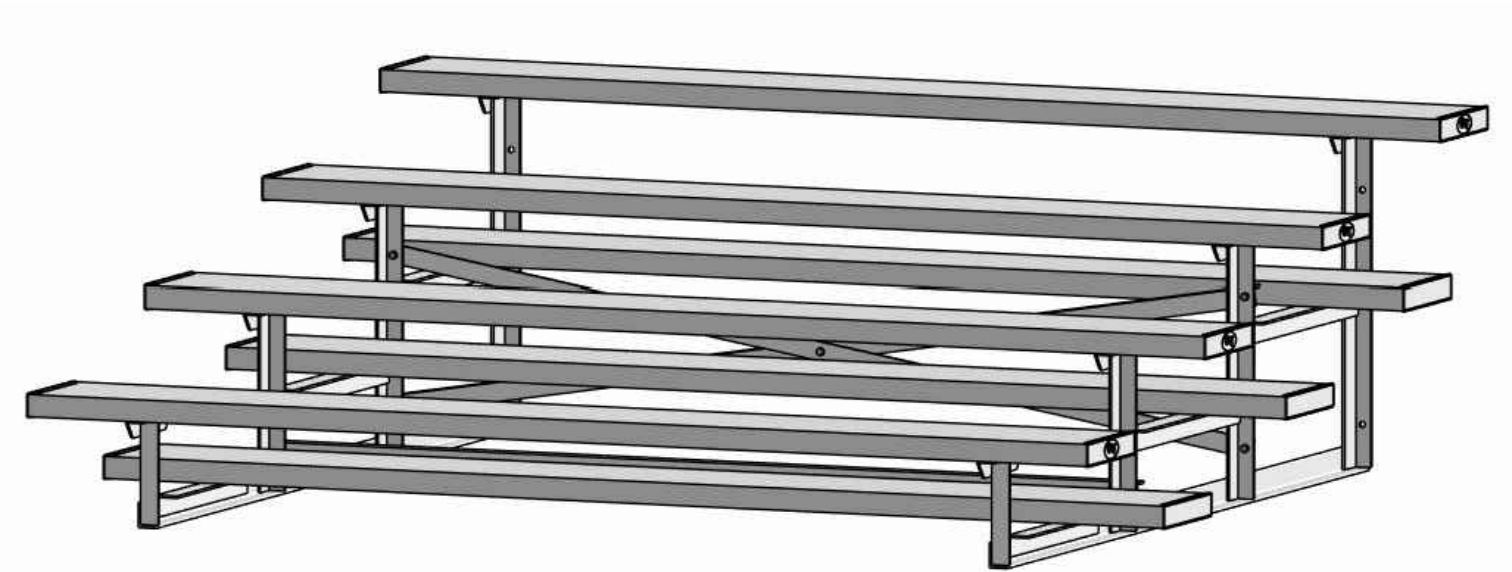


NON ELEVATED BLEACHER



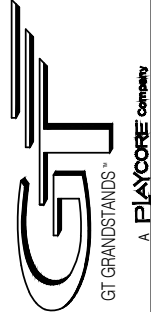
ALUMINUM 4 ROW x 7'-6" - LOW RISE SERIES

**MODEL
LR-047.5AS**

- CS.1 - COVER SHEET
- SP.1 - BLEACHER SEATING PLAN
- FB.1 - FRAME AND BRACING
- BA.1 - BLEACHER ASSEMBLY
- FP.1 - FOUNDATION PLAN



2810 Sydney Road
Plant City, Florida 33566
Phone: 813-305-1415
Fax: 813-305-1419
www.gtgrandstands.com



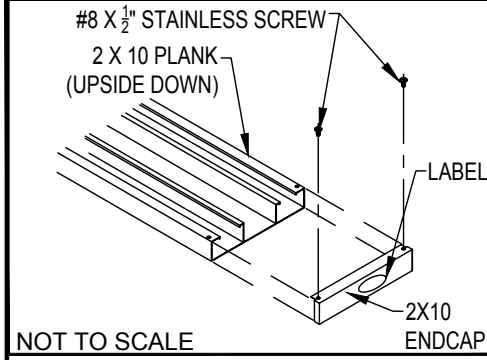
COVER SHEET
4 ROW BLEACHER
6" RISE / 10" SEATS

LR-047.5AS
OPTIONAL -MS (MUD SILL)
OPTIONAL -RB (RUBBER BUMPERS)

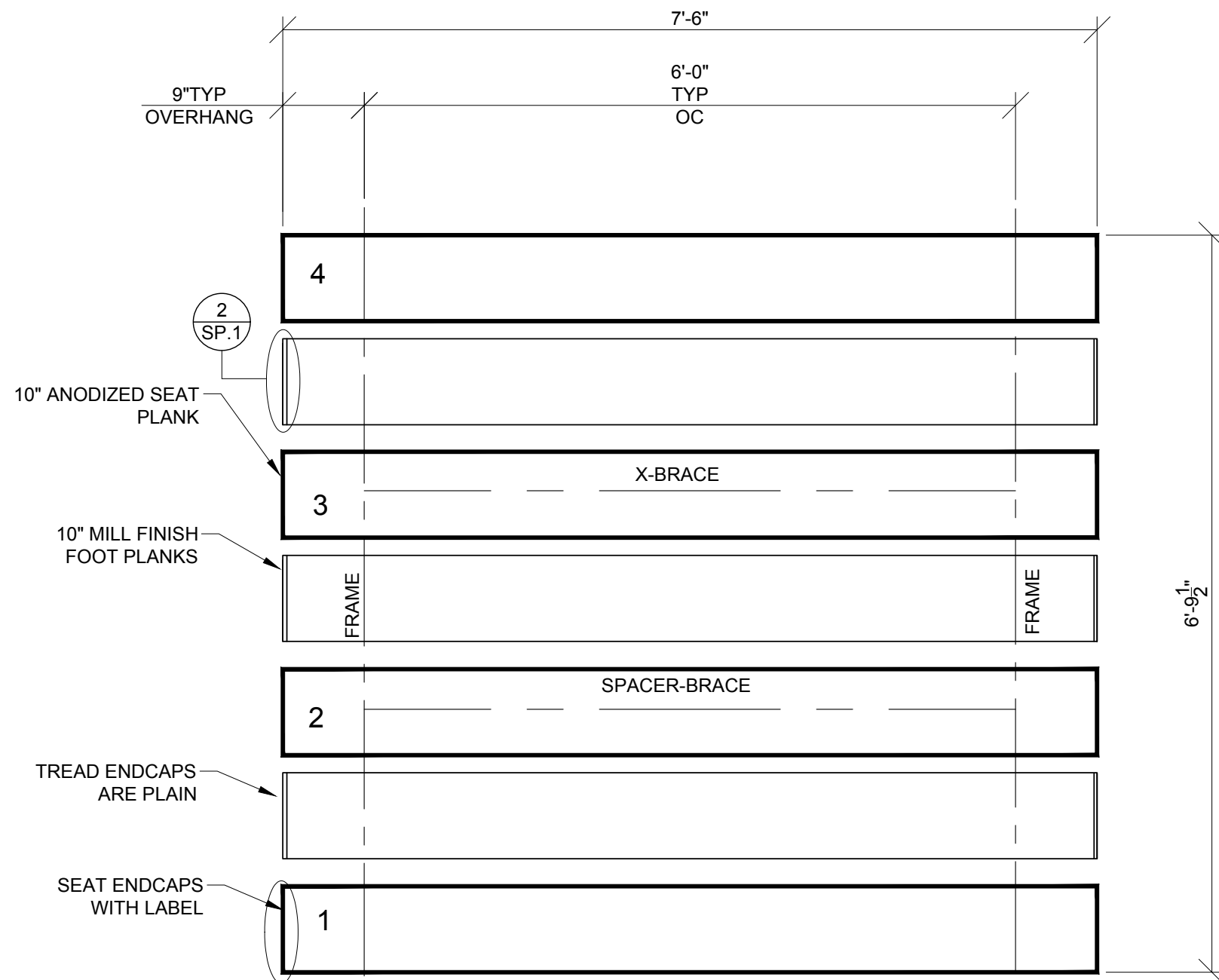
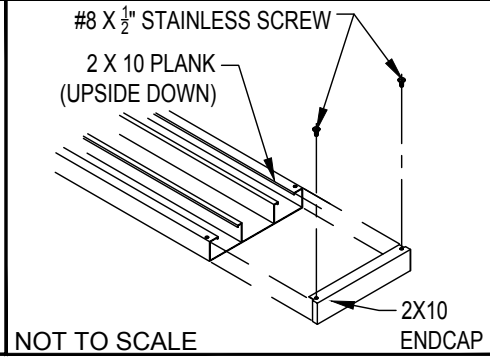
DRAWN BY
MME
CHECKED BY
TLC
DATE
11/01/2016
SCALE
JOB NO.

LR-047.5AS
DWG NO.
CS.1

① TYP 2x10 ENDCAP ATTCH. W/LABEL



② TYP 2x10 ENDCAP ATTACHMENT



SEATING PLAN
SCALE: 3/4" = 1' - 0"

SECTION LENGTH	GROSS SEATS	ACTUAL SEATS	NO. OF SEATS ROWS	NET SEATS
7.5	5.00	5.00	4	20
				NET SEATS 20
				WHEELCHAIR SPACES 0
				TOTAL NET SEATING CAPACITY 20
				(BASED ON 18" PER SEAT)

LOCAL CODES AND SPECIFICATIONS WILL VARY FROM REGION TO REGION AND WILL ALSO CHANGE OVER TIME. IT IS THE BUYER'S RESPONSIBILITY TO CHECK LOCAL CODES FOR COMPLIANCE.



2810 Sydney Road
Plant City, Florida 33566
Phone: 813-305-1415
Fax: 813-305-1419
www.gtgrandstands.com



SEATING PLAN
4 ROW BLEACHER
6" RISE / 10" SEAT

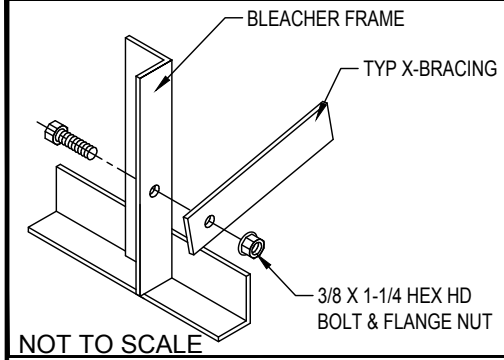
LR-047.5AS
LR SERIES

DRAWN BY
MME
CHECKED BY
TLC
DATE
11/01/2016
SCALE
3/4" = 1' - 0"
JOB NO.

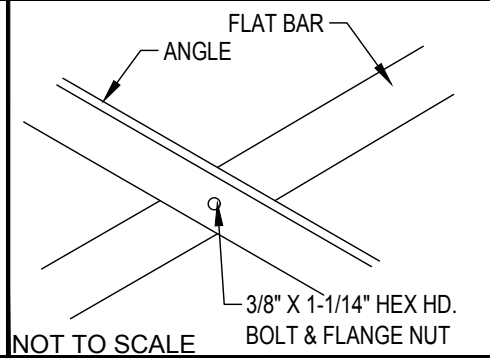
LR-047.5AS
DWG NO.

SP.1

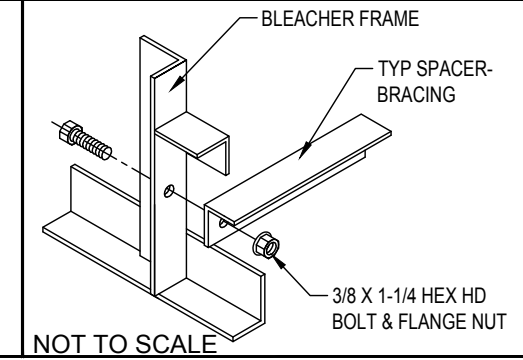
① TYP X-BRACE CONN. W/ 1 1/4" BOLT



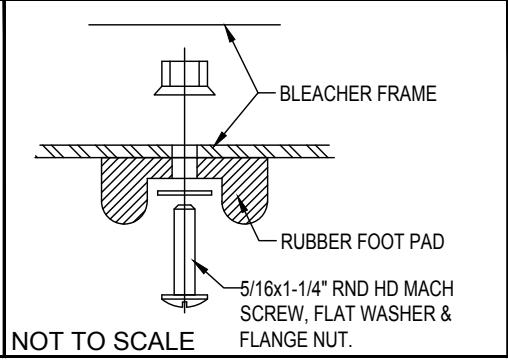
② TYP X-BRACE CONN. W/ 1 1/4" BOLT



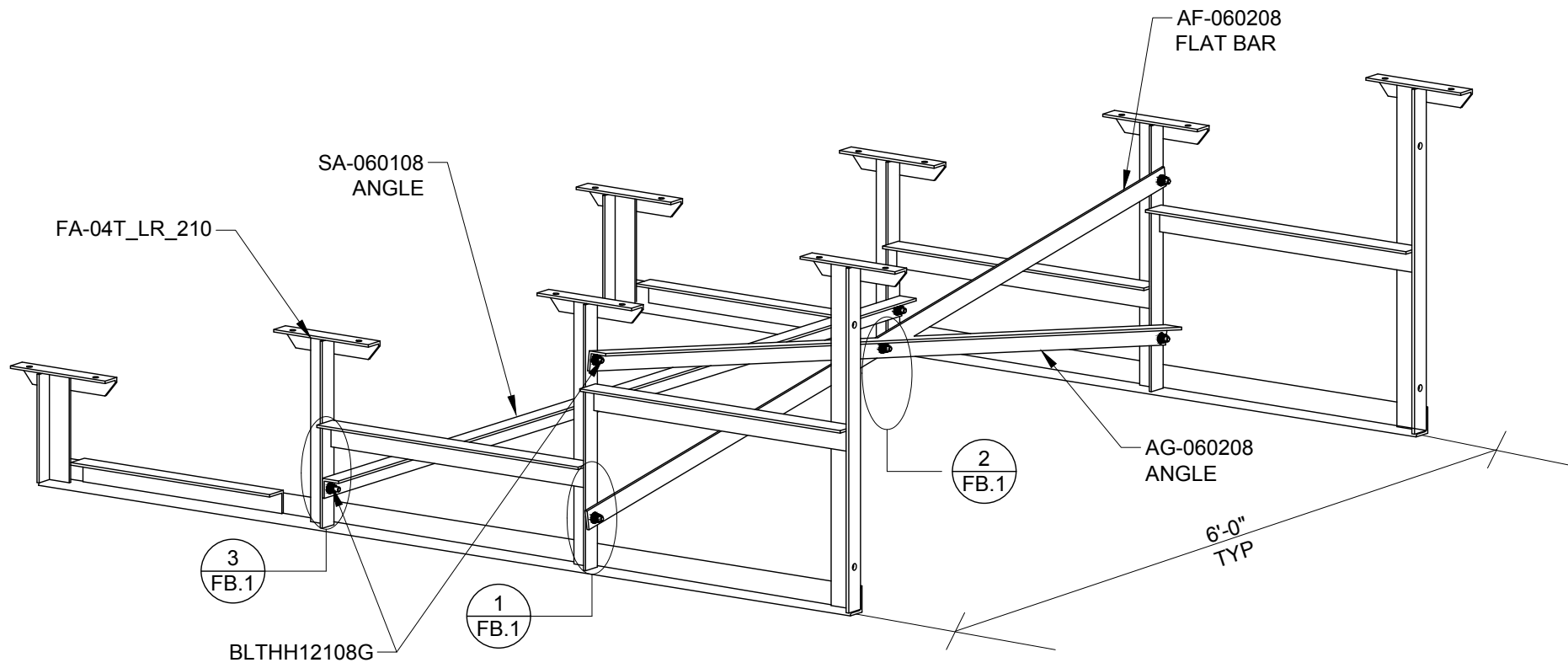
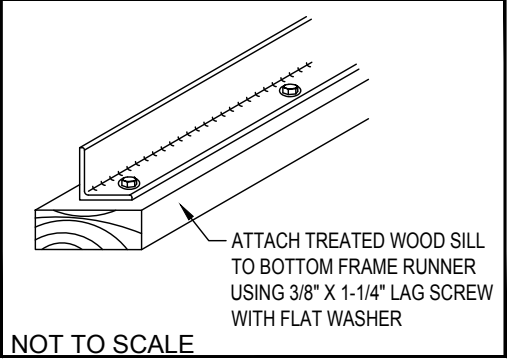
③ TYP SA-BRACE CONN. W/1 1/4" BOLT



○ (OPTIONAL) RUBBER FOOT PAD DETAIL



○ (OPTIONAL) MUD SILL ATTACHMENT

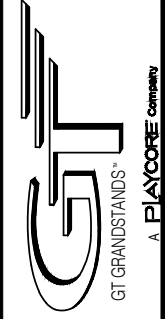


FRAME SECTION
SCALE: NTS

PRE-ASSEMBLE X-BRACE SETS. EACH SET CONSISTS OF AN ANGLE AND FLAT BAR. PLACE THE PIECES TOGETHER AT THE FLAT SIDE AND CONNECT USING A 3/8" X 1 1/4" HEX BOLT & FLANGE NUT.



2810 Sydney Road
Plant City, Florida 33566
Phone: 813-305-1415
Fax: 813-305-1419
www.gtgrandstands.com



FRAME AND BRACE
4 ROW BLEACHER
6" RISE / 10" SEAT

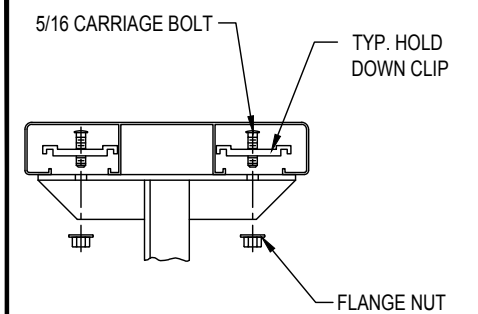
LR-047.5AS
OPTIONAL -MS (MUD SILL)
OPTIONAL -RB (RUBBER BUMPER)

DRAWN BY
MME
CHECKED BY
TLC
DATE
11/01/2016
SCALE
AS SHOWN
JOB NO.

LR-047.5AS
DWG NO.

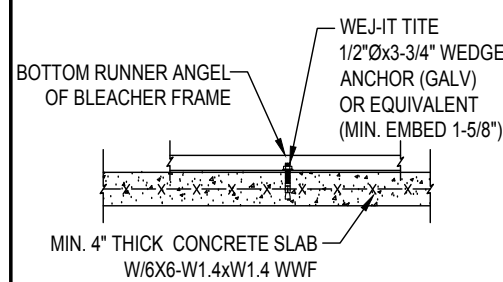
FB.1

① TYP 2x10/2X12 PLANK ATTACHMENT



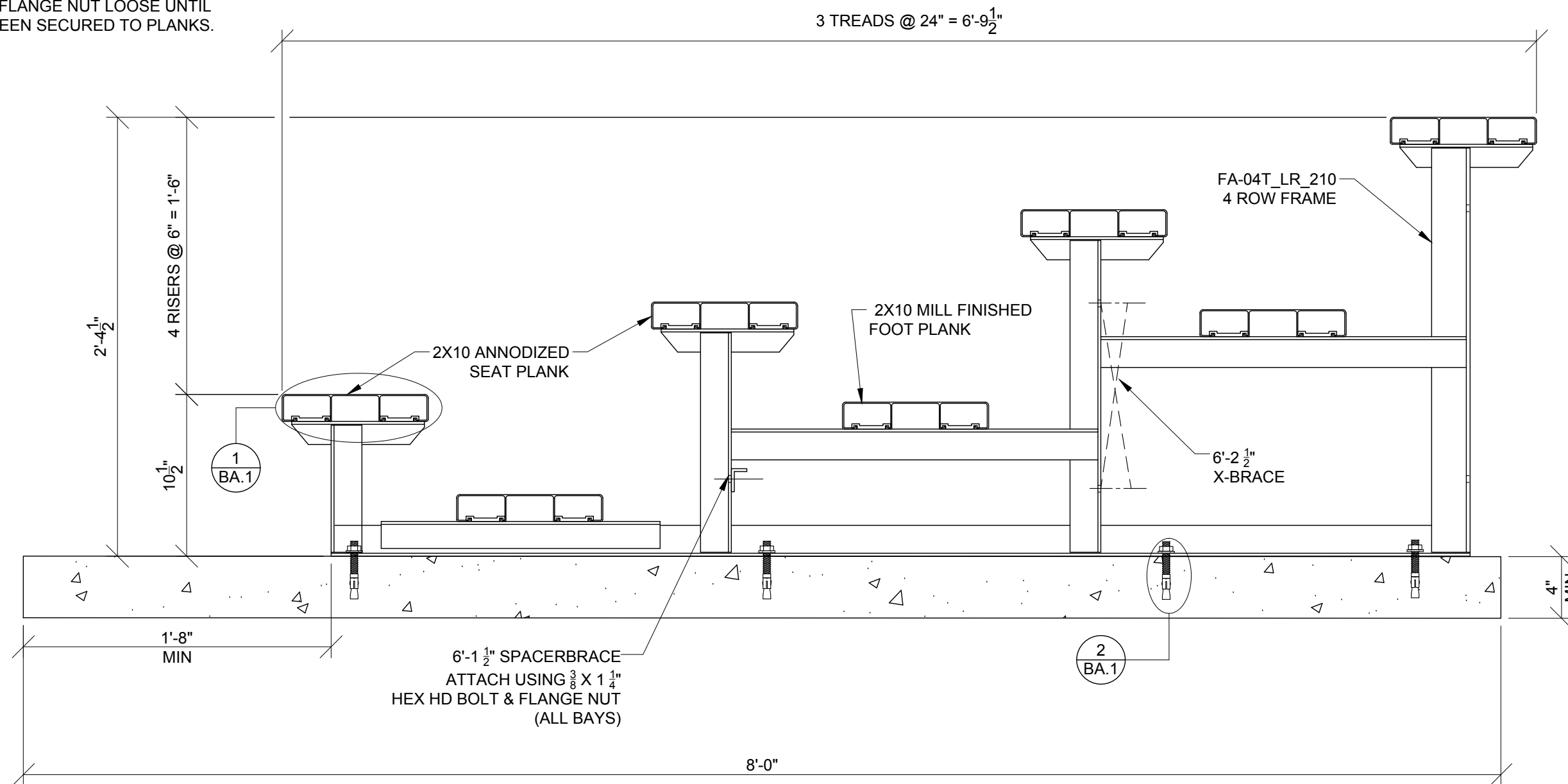
NOT TO SCALE

② OPTIONAL ANCHOR WEDGE DETAIL*



NOT TO SCALE

NOTE: LEAVE FLANGE NUT LOOSE UNTIL CLIPS HAVE BEEN SECURED TO PLANKS.



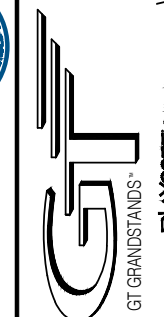
BLEACHER ASSEMBLY

SCALE: 1 1/2" = 1' - 0"

*CONCRETE WEDGE ANCHORS NOT INCLUDED WITH ALL UNITS. IF USING OTHER ANCHORING SYSTEM, SKIP THIS STEP AND REFER TO INSTRUCTIONS SPECIFIC TO THE ANCHORING SYSTEM PURCHASED FOR YOUR UNIT. SEE PRINT FP.1 (INCLUDED IN THIS PACKET) FOR GENERAL CONCRETE FOUNDATION SPECIFICATIONS.



2810 Sydney Road
Plant City, Florida 33566
Phone: 813-305-1415
Fax: 813-305-1419
www.gtgrandstands.com



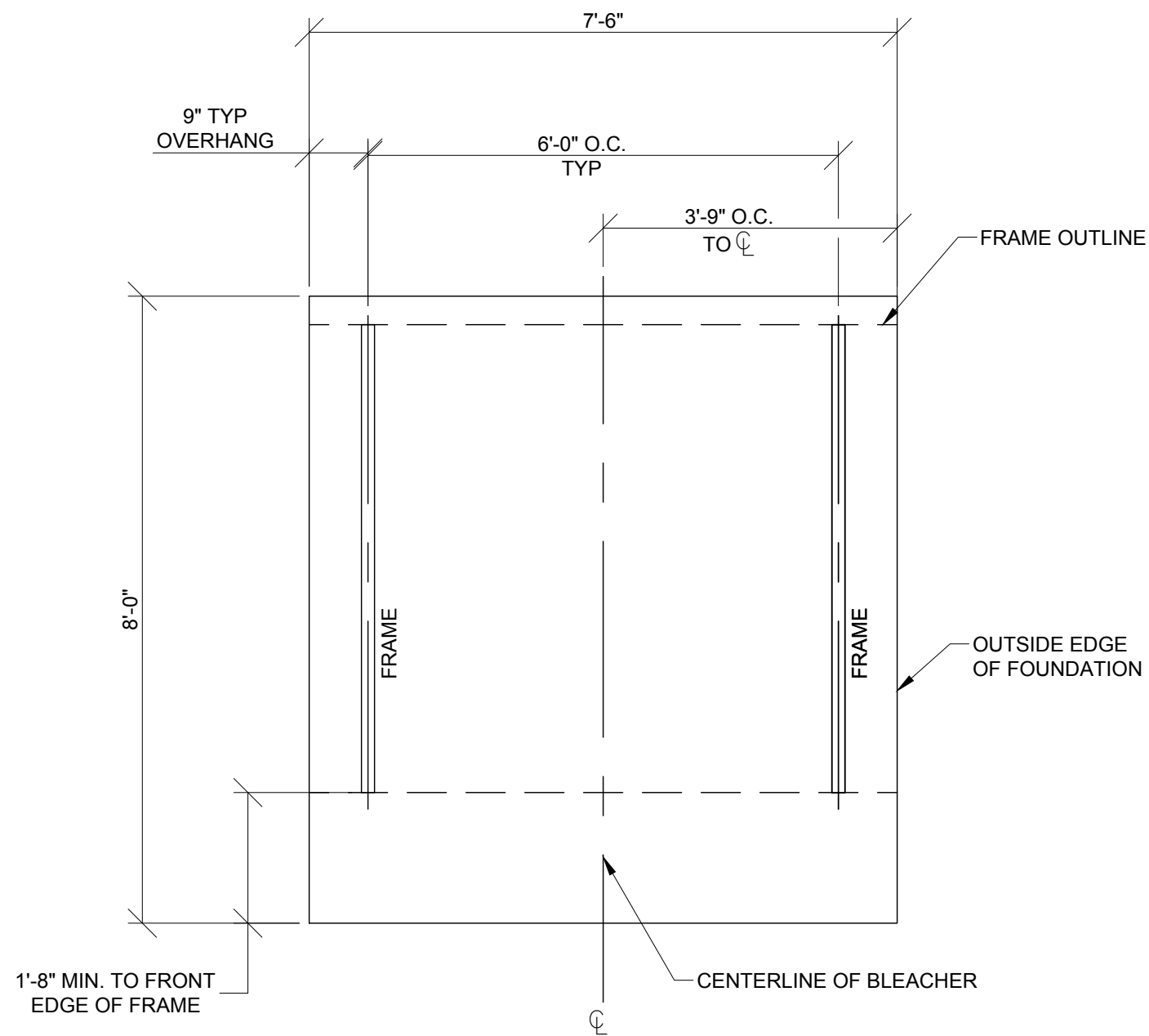
BLEACHER ASSEMBLY
4 ROW BLEACHER
6" RISE / 10" SEAT

LR-047.5AS
(OPTIONAL CONCRETE FOUNDATION)
LR SERIES

DRAWN BY
MME
CHECKED BY
TLC
DATE
11/01/2016
SCALE
AS SHOWN
JOB NO.

LR-047.5AS
DWG NO.

BA.1



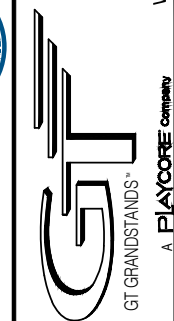
OPTIONAL FOUNDATION PLAN*

SCALE: 1/2" = 1' - 0"

* MINIMUM FOUNDATION AREA SHOWN. DEPENDING ON LOCAL SOIL CONDITIONS, BLEACHER CAN BE INSTALLED ON A CONCRETE PAD OR FOOTERS, OR ATTACHED TO 2x6 TREATED LUMBER GROUND SILLS AND PLACED ON COMPACTED STONE, ASPHALT, OR ANY OTHER SMOOTH, SOLID, LEVEL SURFACE. CONSULT YOUR LOCAL CONCRETE CONTRACTOR TO DETERMINE PROPER CONCRETE SPECIFICATIONS FOR YOUR LOCAL SOIL AND WEATHER-RELATED CONDITIONS. THE BEARING SURFACE MUST BE CAPABLE OF SUPPORTING A MINIMUM OF 660 POUNDS PER LINEAR FOOT. TO MEET LOCAL CODES, BLEACHERS WILL NEED TO BE ANCHORED. ANCHORING SYSTEMS FOR ALL SURFACE TYPES ARE AVAILABLE - CONTACT YOUR BLEACHER SALES REPRESENTATIVE FOR MORE INFORMATION.



2810 Sydney Road
Plant City, Florida 33566
Phone: 813-305-1415
Fax: 813-305-1419
www.gtgrandstands.com



FOUNDATION PLAN
4 ROW BLEACHER
6" RISE / 10" SEAT

LR-047.5AS
LR-SERIES

DRAWN BY
MME
CHECKED BY
TLC
DATE
11/01/2016
SCALE
1/2" = 1' - 0"
JOB NO.

LR-047.5AS
DWG NO.

FP.1