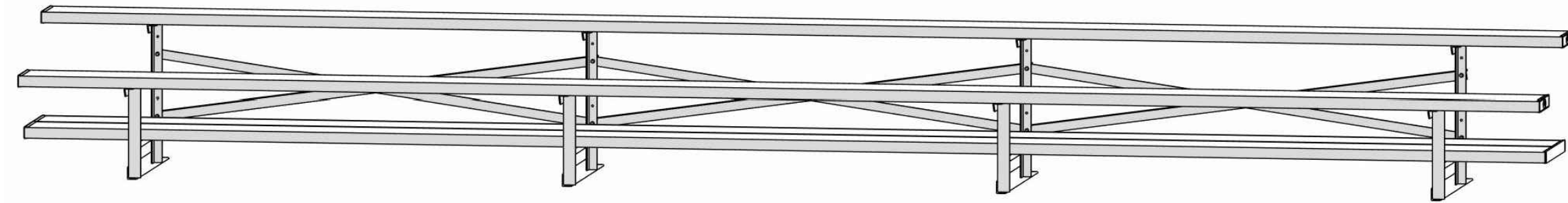


# NON-ELEVATED BLEACHER



**ALUMINUM 2 ROW x 21'-0" - NATIONAL REP SERIES**

MODEL  
**NR-0221AD**



2810 Sydney Road  
Plant City, Florida 33566  
Phone: 813-305-1415  
Fax: 813-305-1419  
www.gtgrandstands.com



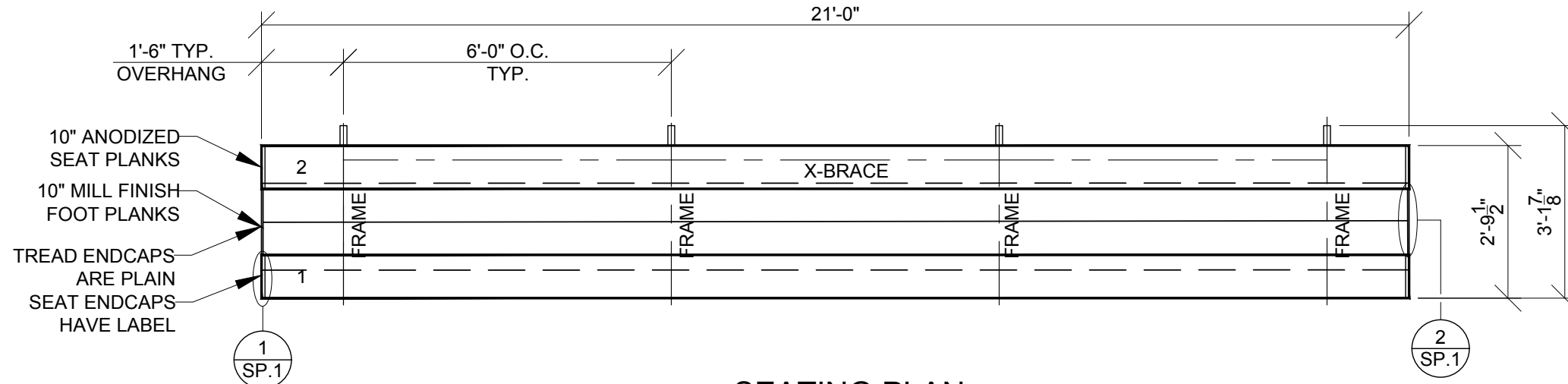
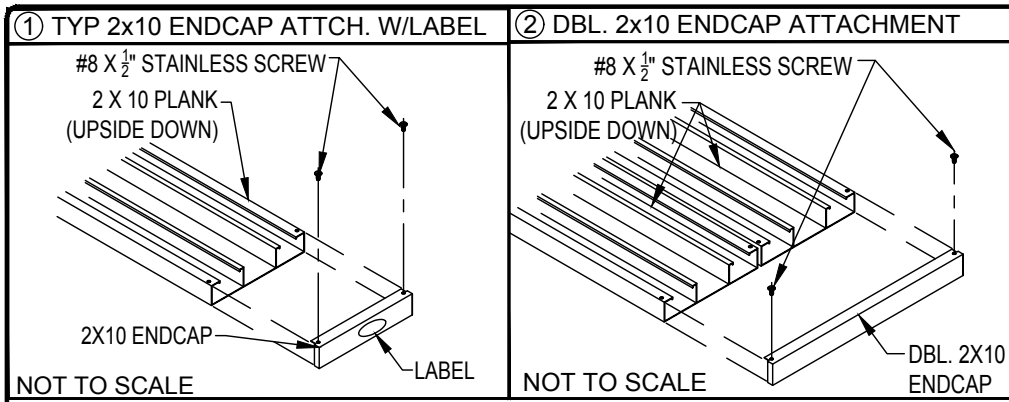
COVER SHEET  
2 ROW BLEACHER  
8" RISE / 10" SEAT

NR-0221AD  
OPTIONAL -MS (MUD SILL)  
OPTIONAL -RB (RUBBER BUMPER)

DRAWN BY  
MME  
CHECKED BY  
TLC  
DATE  
11/01/2016  
SCALE  
JOB NO.

CS.1 - COVER SHEET  
SP.1 - BLEACHER SEATING PLAN  
FB.1 - FRAME AND BRACING  
BA.1 - BLEACHER ASSEMBLY  
FP.1 - FOUNDATION PLAN

NR-0221AD  
DWG NO.  
**CS.1**



**SEATING PLAN**  
SCALE: 3/8" = 1' - 0"

SECTION LENGTH	GROSS SEATS	ACTUAL SEATS	NO. OF ROWS	NET SEATS
21	14.00	14.00	2	28
				NET SEATS 28
				WHEELCHAIR SPACES 0
				<b>TOTAL NET SEATING CAPACITY 28</b>
				(BASED ON 18" PER SEAT)

LOCAL CODES AND SPECIFICATIONS WILL VARY FROM REGION TO REGION AND WILL ALSO CHANGE OVER TIME. IT IS THE BUYER'S RESPONSIBILITY TO CHECK LOCAL CODES FOR COMPLIANCE.



2810 Sydney Road  
Plant City, Florida 33566  
Phone: 813-305-1415  
Fax: 813-305-1419  
www.gtgrandstands.com

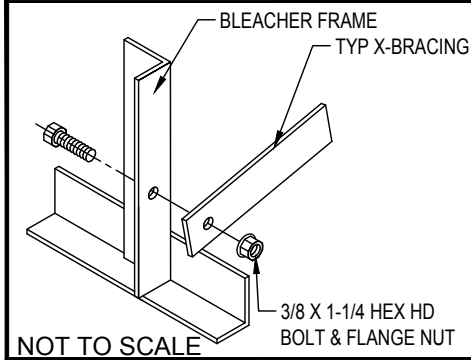
**GT**  
GT GRANDSTANDS®  
A PLAYCORE COMPANY

SEATING PLAN  
2 ROW BLEACHER  
8" RISE / 10" SEAT

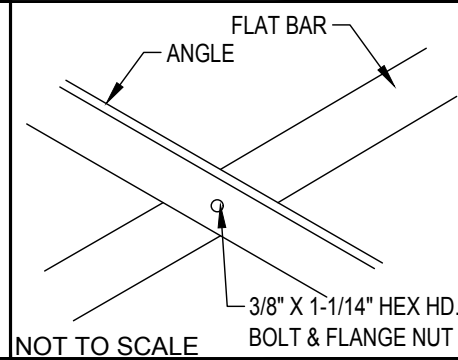
NR-0221AD  
NR SERIES

DRAWN BY  
MME  
CHECKED BY  
TLC  
DATE  
11/01/2016  
SCALE  
3/8" = 1' - 0"  
JOB NO.  
NR-0221AD  
DWG NO.  
SP.1

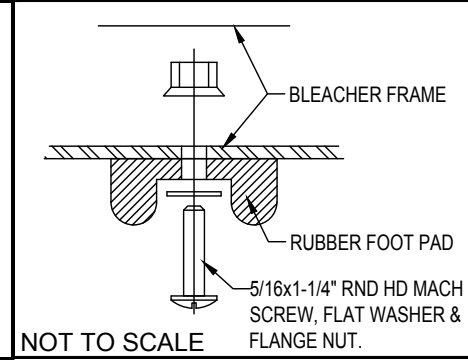
① TYP X-BRACE CONN. W/ 1/4 BOLT



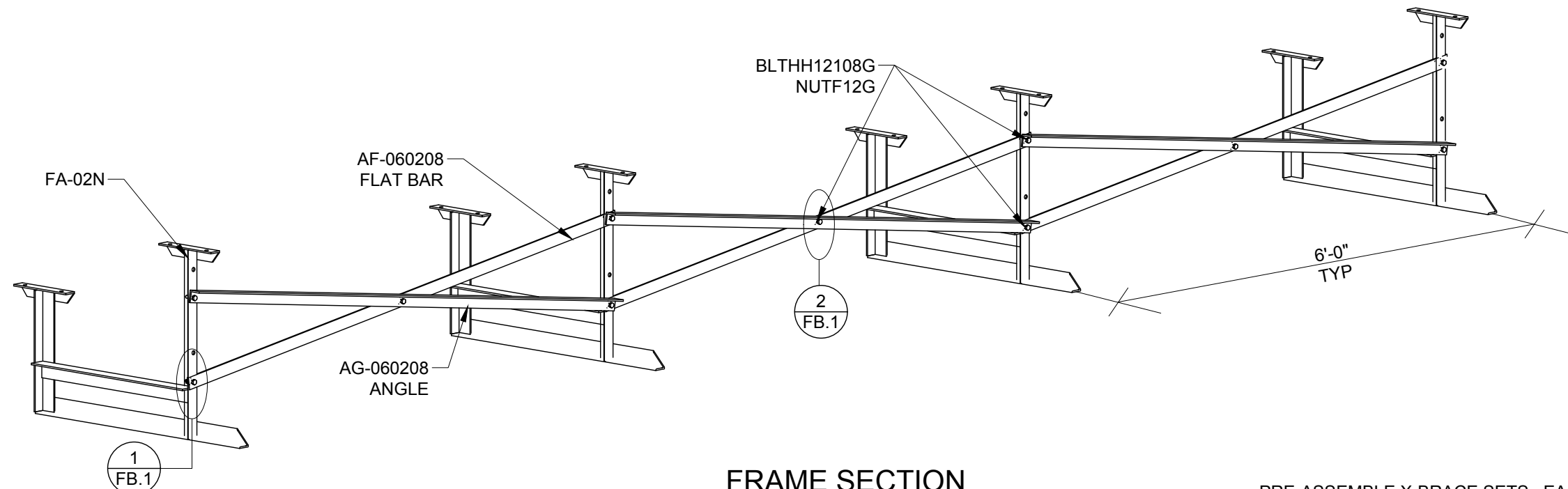
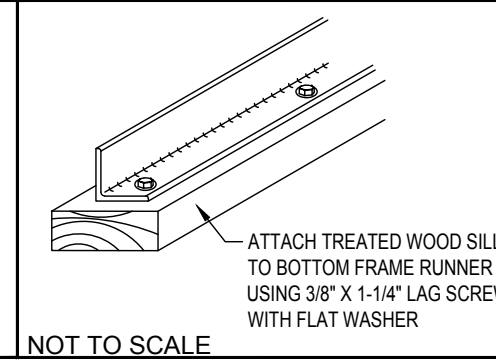
② TYP X-BRACE CONN. W/ 1/4 BOLT



○ RUBBER FOOT PAD ATTACH. DETAIL



○ (OPTIONAL) MUD SILL ATTACHMENT

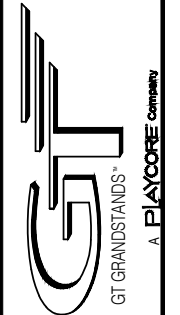


**FRAME SECTION**  
SCALE: NTS

PRE-ASSEMBLE X-BRACE SETS. EACH SET CONSISTS OF AN ANGLE AND A FLAT BAR. PLACE THE PIECES TOGETHER AT THE FLAT SIDE AND CONNECT USING A 3/8" X 1 1/4 HEX BOLT & FLANGE NUT.



2810 Sydney Road  
Plant City, Florida 33566  
Phone: 813-305-1415  
Fax: 813-305-1419  
www.gtgrandstands.com



FRAME AND BRACING  
2 ROW BLEACHER  
8" RISE / 10" SEAT

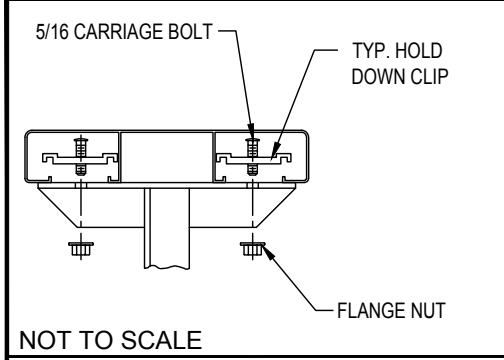
NR-022IAD  
OPTIONAL -MS (MUD SILL)  
OPTIONAL -RB (RUBBER BUMPERS)

DRAWN BY  
MME  
CHECKED BY  
TLC  
DATE  
11/01/2016  
SCALE  
AS SHOWN  
JOB NO.

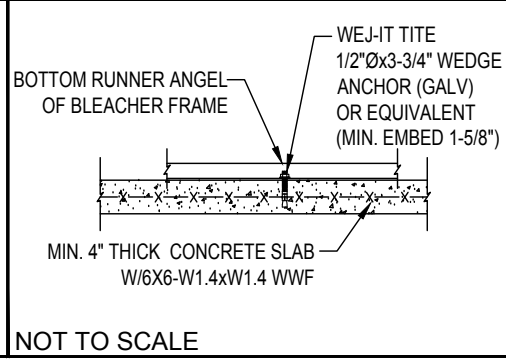
NR-022IAD  
DWG NO.

FB.1

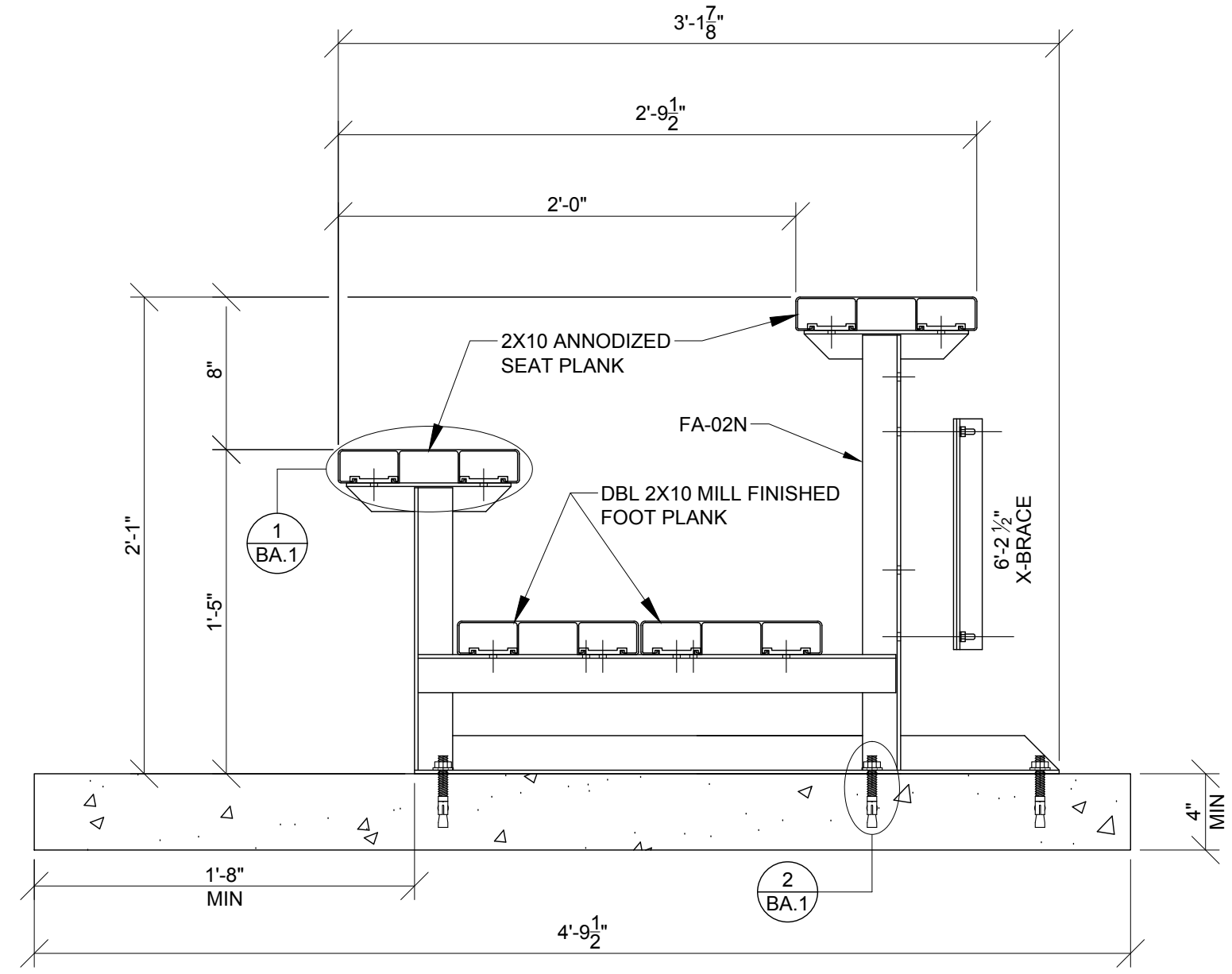
① TYP 2x10 PLANK ATTACHMENT



② OPTIONAL ANCHOR WEDGE DETAIL\*



NOTE: LEAVE FLANGE NUT LOOSE UNTIL CLIPS HAVE BEEN SECURED TO PLANKS.



**BLEACHER ASSEMBLY**

SCALE: 1 1/2" = 1' - 0"

\*CONCRETE WEDGE ANCHORS NOT INCLUDED WITH ALL UNITS. IF USING OTHER ANCHORING SYSTEM, SKIP THIS STEP AND REFER TO INSTRUCTIONS SPECIFIC TO THE ANCHORING SYSTEM PURCHASED FOR YOUR UNIT. SEE PRINT FP.1 (INCLUDED IN THIS PACKET) FOR GENERAL CONCRETE FOUNDATION SPECIFICATIONS.



2810 Sydney Road  
Plant City, Florida 33566  
Phone: 813-305-1415  
Fax: 813-305-1419  
www.gtgrandstands.com



BLEACHER ASSEMBLY  
2 ROW BLEACHER  
8" RISE / 10" SEAT

NR-022IAD  
(OPTIONAL CONCRETE FOUNDATION)  
NR SERIES

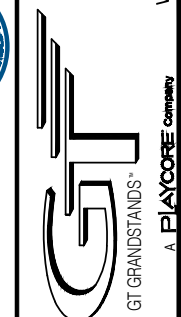
DRAWN BY  
MME  
CHECKED BY  
TLC  
DATE  
11/01/2016  
SCALE  
AS SHOWN  
JOB NO.

NR-022IAD  
DWG NO.

BA.1



2810 Sydney Road  
 Plant City, Florida 33566  
 Phone: 813-305-1415  
 Fax: 813-305-1419  
 www.gtgrandstands.com



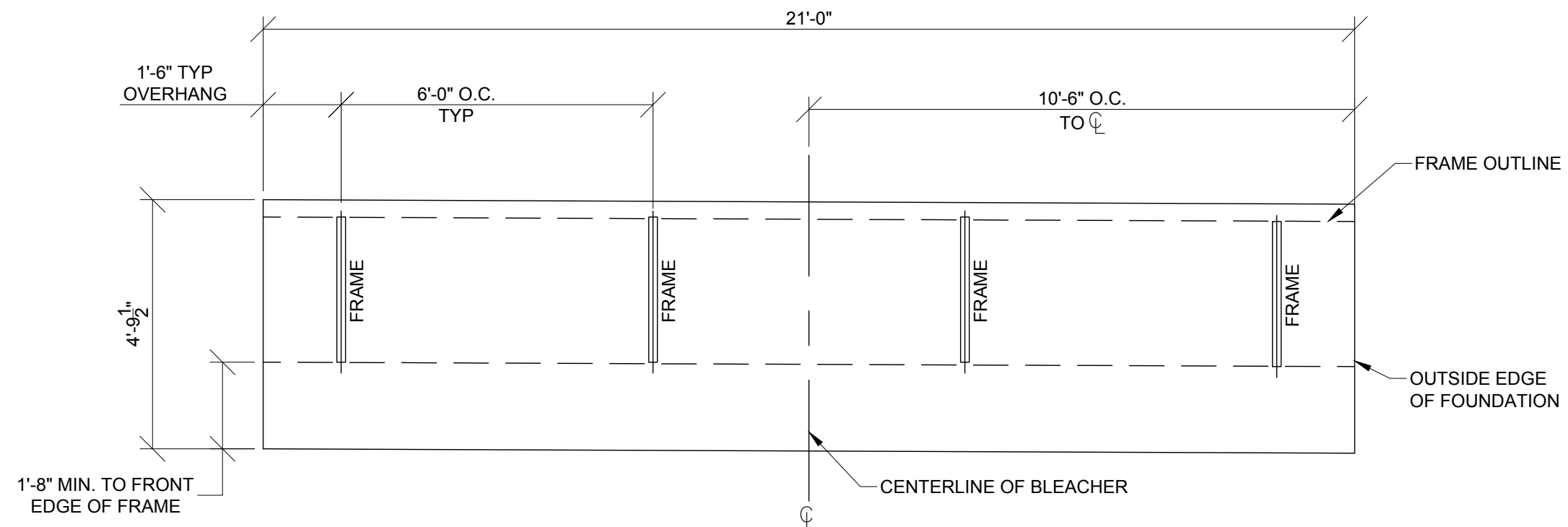
FOUNDATION PLAN  
 2 ROW BLEACHER  
 8" RISE / 10" SEAT

NR-0221AD  
 NR SERIES

DRAWN BY  
 MME  
 CHECKED BY  
 TLC  
 DATE  
 11/01/2016  
 SCALE  
 AS SHOWN  
 JOB NO.

NR-0221AD  
 DWG NO.

FP.1



**OPTIONAL FOUNDATION PLAN\***  
 SCALE: 3/8" = 1' - 0"

\* MINIMUM FOUNDATION AREA SHOWN. DEPENDING ON LOCAL SOIL CONDITIONS, BLEACHER CAN BE INSTALLED ON A CONCRETE PAD OR FOOTERS, OR ATTACHED TO 2x6 TREATED LUMBER GROUND SILLS AND PLACED ON COMPACTED STONE, ASPHALT, OR ANY OTHER SMOOTH, SOLID, LEVEL SURFACE. CONSULT YOUR LOCAL CONCRETE CONTRACTOR TO DETERMINE PROPER CONCRETE SPECIFICATIONS FOR YOUR LOCAL SOIL AND WEATHER-RELATED CONDITIONS. THE BEARING SURFACE MUST BE CAPABLE OF SUPPORTING A MINIMUM OF 660 POUNDS PER LINEAR FOOT. TO MEET LOCAL CODES, BLEACHERS WILL NEED TO BE ANCHORED. ANCHORING SYSTEMS FOR ALL SURFACE TYPES ARE AVAILABLE - CONTACT YOUR BLEACHER SALES REPRESENTATIVE FOR MORE INFORMATION.