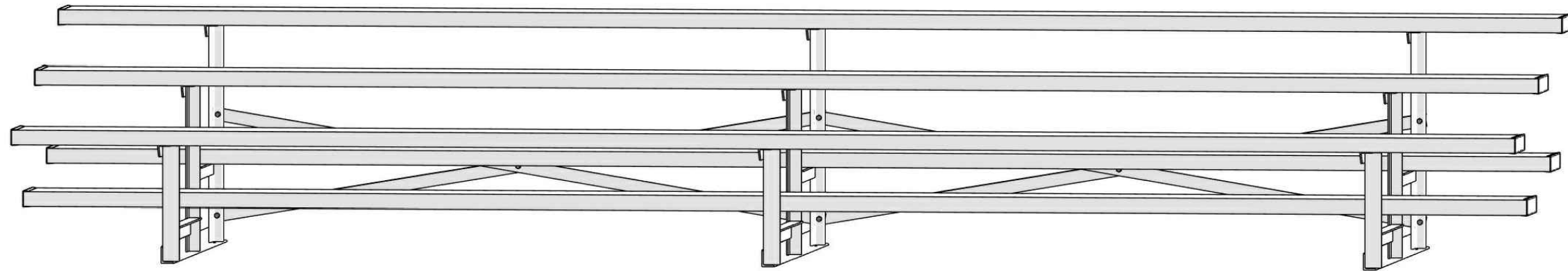


NON-ELEVATED BLEACHER



ALUMINUM 3 ROW x 15'-0" - NATIONAL REP SERIES

MODEL

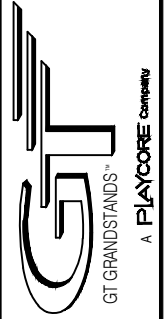
NR-0315AS

OPTIONS: -RB = RUBBER BUMPERS

-MS = MUD SILLS



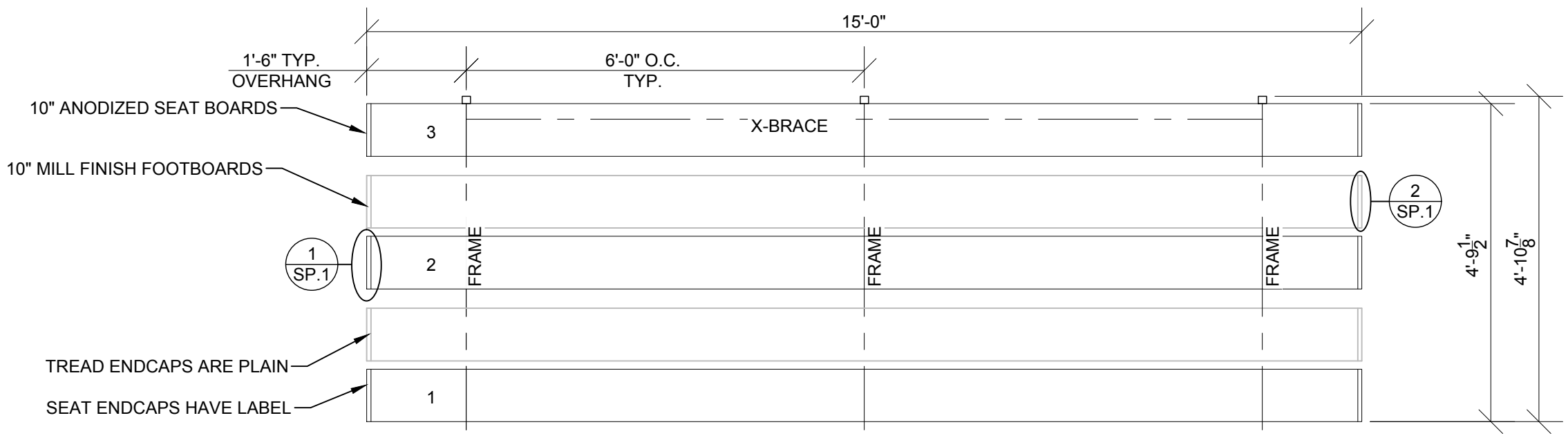
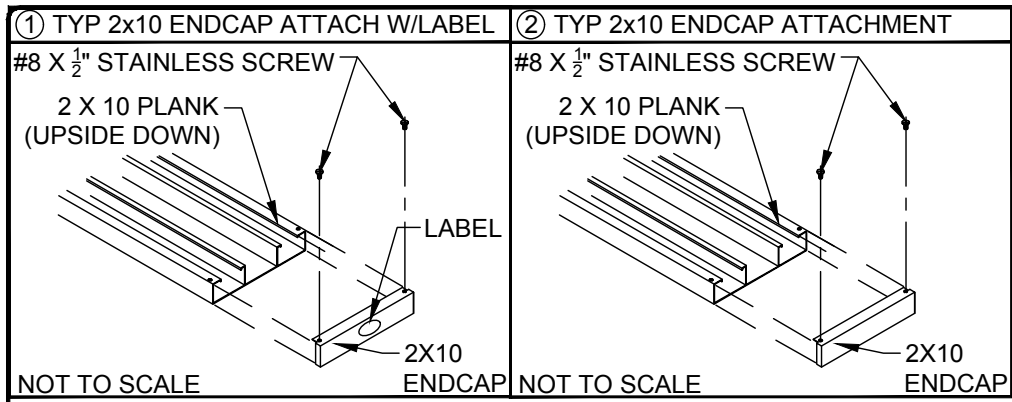
2810 Sydney Road
Plant City, Florida 33566
Phone: 813-305-1415
Fax: 813-305-1419
www.gtgrandstands.com



COVER SHEET
3 ROW BLEACHER
6" RISE / 10" SEAT

NR-0315AS
OPTIONAL -MS (MUD SILL)
OPTIONAL -RB (RUBBER BUMPERS)

DRAWN BY
MME
CHECKED BY
DATE
03/06/2017
SCALE
JOB NO.
NR-0315AS
DWG NO.
CS.1



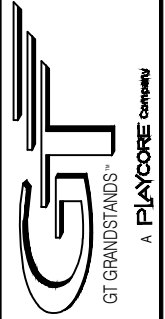
SEATING PLAN
SCALE: 1/2" = 1' - 0"

SECTION LENGTH	GROSS SEATS	ACTUAL SEATS	NO. OF ROWS	NET SEATS
15	10.00	10.00	3	30
				NET SEATS 30
				WHEELCHAIR SPACES 0
				TOTAL NET SEATING CAPACITY 30
				(BASED ON 18" PER SEAT)

LOCAL CODES AND SPECIFICATIONS WILL VARY FROM REGION TO REGION AND WILL ALSO CHANGE OVER TIME. IT IS THE BUYER'S RESPONSIBILITY TO CHECK LOCAL CODES FOR COMPLIANCE.



2810 Sydney Road
Plant City, Florida 33566
Phone: 813-305-1415
Fax: 813-305-1419
www.gtgrandstands.com

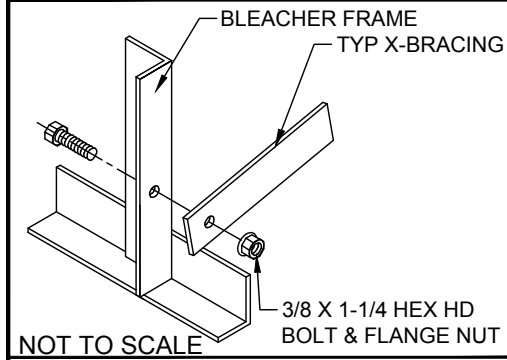


SEATING PLAN
3 ROW BLEACHER
6" RISE / 10" SEAT

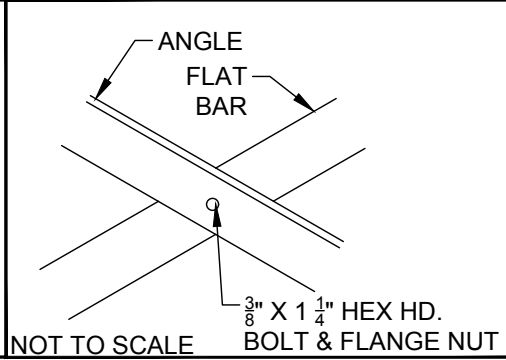
NR-0315AS
NR SERIES

DRAWN BY
MME
CHECKED BY
DATE
03/06/
SCALE
1/2" = 1' - 0"
JOB NO.
NR-0315AS
DWG NO.
SP.1

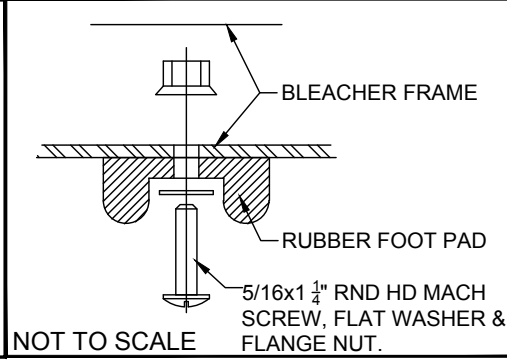
① TYP X-BRACE CONN. W/ 1 1/4" BOLT



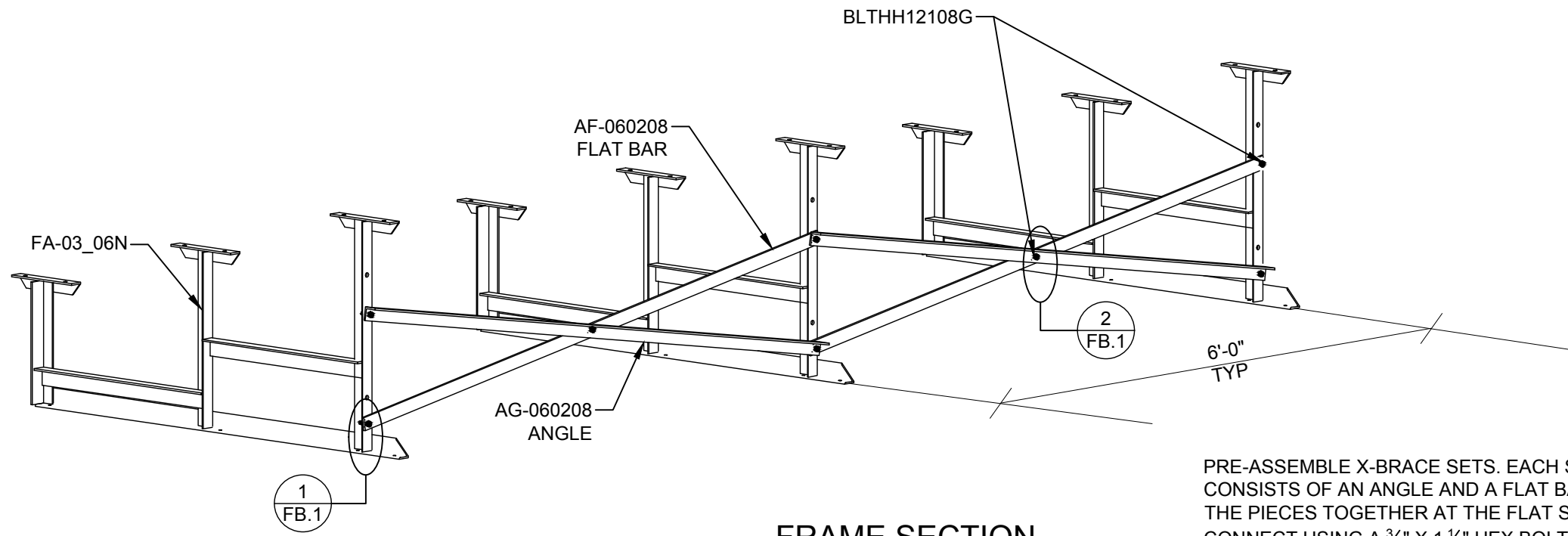
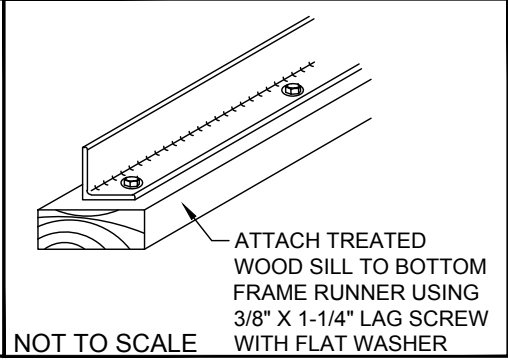
② TYP X-BRACE CONN. W/ 1 1/4" BOLT



○ (OPTIONAL) RUBBER BUMPERS



○ (OPTIONAL) MUD SILL ATTACHMENT

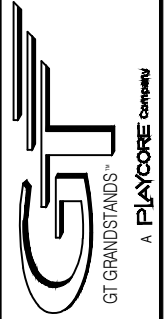


FRAME SECTION
SCALE: NTS

PRE-ASSEMBLE X-BRACE SETS. EACH SET CONSISTS OF AN ANGLE AND A FLAT BAR. PLACE THE PIECES TOGETHER AT THE FLAT SIDE AND CONNECT USING A 3/8" X 1 1/4" HEX BOLT AND FLANGE NUT.



2810 Sydney Road
Plant City, Florida 33566
Phone: 813-305-1415
Fax: 813-305-1419
www.gtgrandstands.com

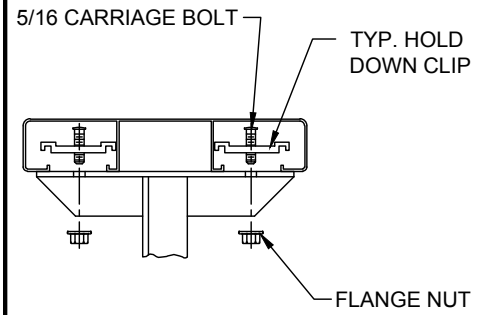


FRAME AND BRACE
3 ROW BLEACHER
6" RISE / 10" SEAT

NR-0315AS
OPTIONAL -MS (MUD SILL)
OPTIONAL -RB (RUBBER BUMPER)

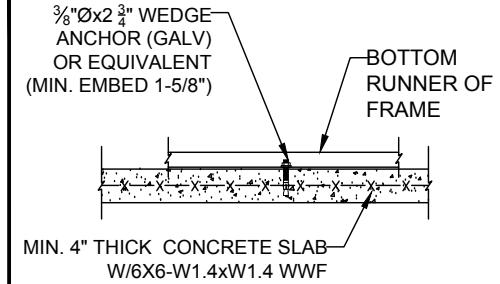
DRAWN BY MME
CHECKED BY
DATE 03/06/2017
SCALE AS SHOWN
JOB NO.
NR-0315AS
DWG NO. FB.1

① TYP 2x10 PLANK ATTACHMENT



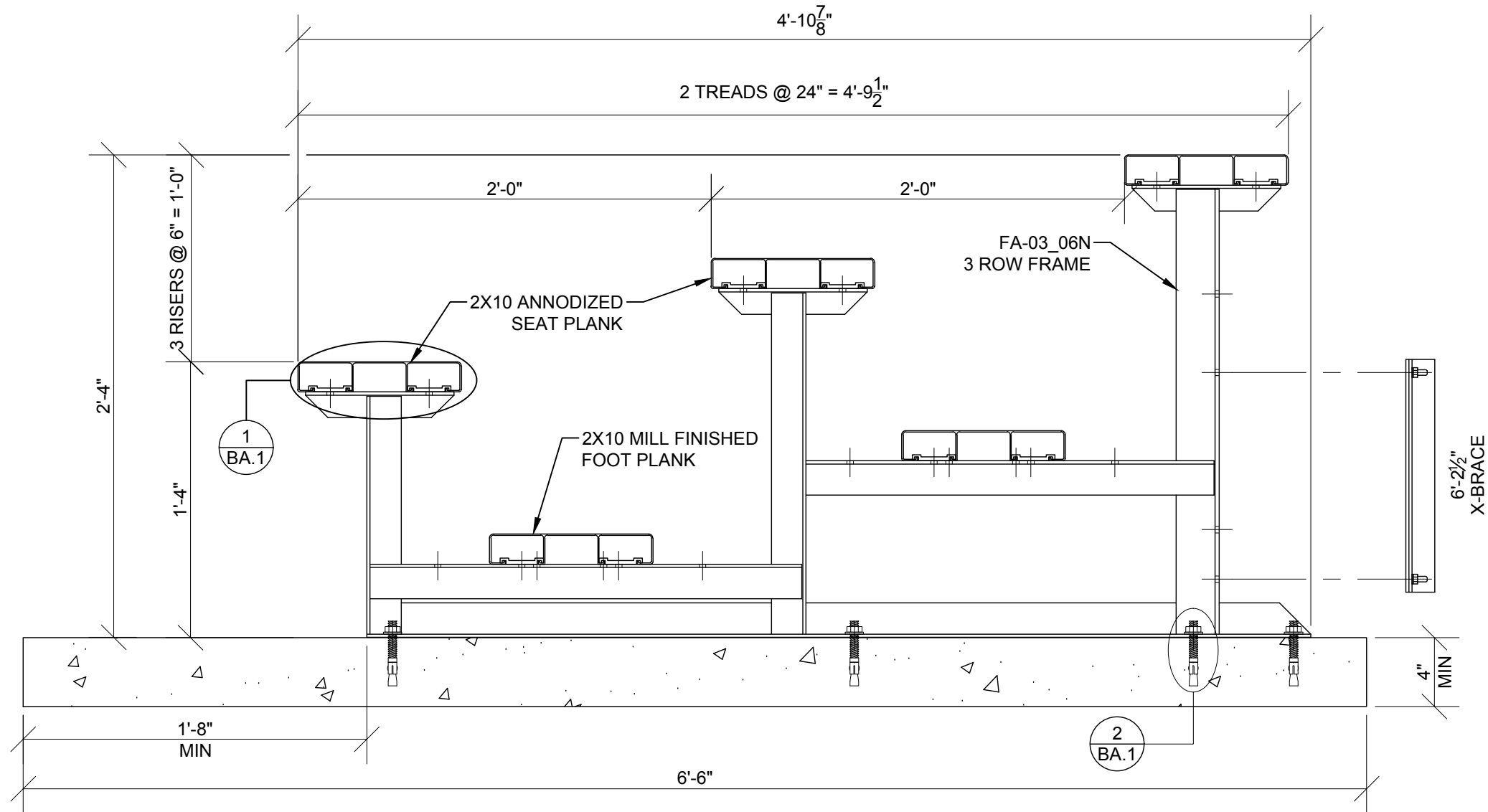
NOT TO SCALE

② OPTIONAL ANCHOR WEDGE DETAIL*



NOT TO SCALE

NOTE: LEAVE FLANGE NUT LOOSE UNTIL CLIPS HAVE BEEN SECURED TO PLANKS.



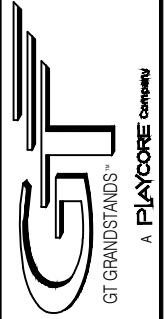
BLEACHER ASSEMBLY

SCALE: 1 1/2" = 1' - 0"

*CONCRETE WEDGE ANCHORS NOT INCLUDED WITH ALL UNITS. IF USING OTHER ANCHORING SYSTEM, SKIP THIS STEP AND REFER TO INSTRUCTIONS SPECIFIC TO THE ANCHORING SYSTEM PURCHASED FOR YOUR UNIT. SEE PRINT FP.1 (INCLUDED IN THIS PACKET) FOR GENERAL CONCRETE FOUNDATION SPECIFICATIONS.



2810 Sydney Road
Plant City, Florida 33566
Phone: 813-305-1415
Fax: 813-305-1419
www.gtgrandstands.com



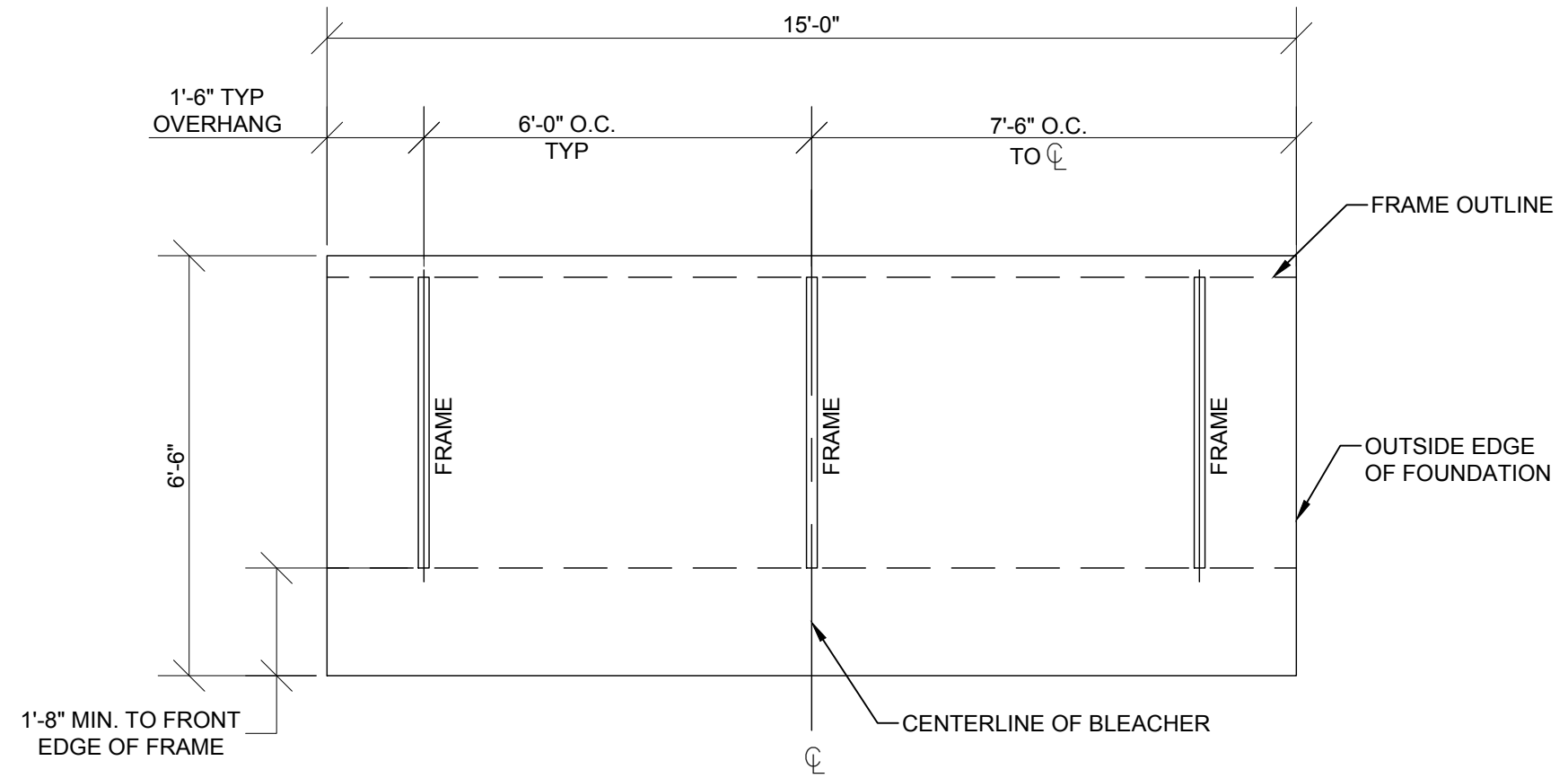
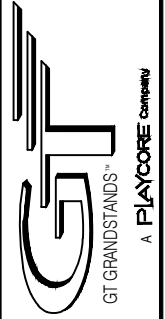
BLEACHER ASSEMBLY
3 ROW BLEACHER
6" RISE / 10" SEAT

NR-0315AS
(OPTIONAL CONCRETE FOUNDATION)
NR SERIES

DRAWN BY	MME
CHECKED BY	
DATE	03/06/2017
SCALE	
JOB NO.	
NR-0315AS	
DWG NO.	BA.1



2810 Sydney Road
 Plant City, Florida 33566
 Phone: 813-305-1415
 Fax: 813-305-1419
 www.gtgrandstands.com



OPTIONAL FOUNDATION PLAN*
 SCALE: 3/8" = 1' - 0"

FOUNDATION PLAN
 3 ROW BLEACHER
 6" RISE / 10" SEAT

NR-0315AS
 NR SERIES

* MINIMUM FOUNDATION AREA SHOWN. DEPENDING ON LOCAL SOIL CONDITIONS, BLEACHER CAN BE INSTALLED ON A CONCRETE PAD OR FOOTERS, OR ATTACHED TO 2x6 TREATED LUMBER GROUND SILLS AND PLACED ON COMPACTED STONE, ASPHALT, OR ANY OTHER SMOOTH, SOLID, LEVEL SURFACE. CONSULT YOUR LOCAL CONCRETE CONTRACTOR TO DETERMINE PROPER CONCRETE SPECIFICATIONS FOR YOUR LOCAL SOIL AND WEATHER-RELATED CONDITIONS. THE BEARING SURFACE MUST BE CAPABLE OF SUPPORTING A MINIMUM OF 660 POUNDS PER LINEAR FOOT. TO MEET LOCAL CODES, BLEACHERS WILL NEED TO BE ANCHORED. ANCHORING SYSTEMS FOR ALL SURFACE TYPES ARE AVAILABLE - CONTACT YOUR BLEACHER SALES REPRESENTATIVE FOR MORE INFORMATION.

DRAWN BY	MME
CHECKED BY	
DATE	03/06/2017
SCALE	3/8" = 1' - 0"
JOB NO.	
NR-0315AS	
DWG NO.	FP.1