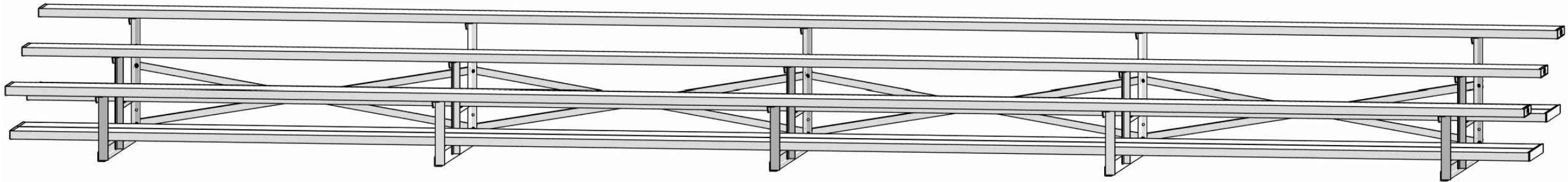


NON-ELEVATED BLEACHER

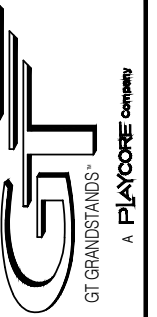


ALUMINUM 3 ROW x 27'-0" - NATIONAL REP SERIES

MODEL
NR-0327AD



2810 Sydney Road
Plant City, Florida 33566
Phone: 813-305-1415
Fax: 813-305-1419
www.gtgrandstands.com



COVER SHEET
3 ROW BLEACHER
6" RISE / 10" SEAT

NR-0327AD
OPTIONAL -MS (MUD SILL)
OPTIONAL -RB (RUBBER BUMPER)

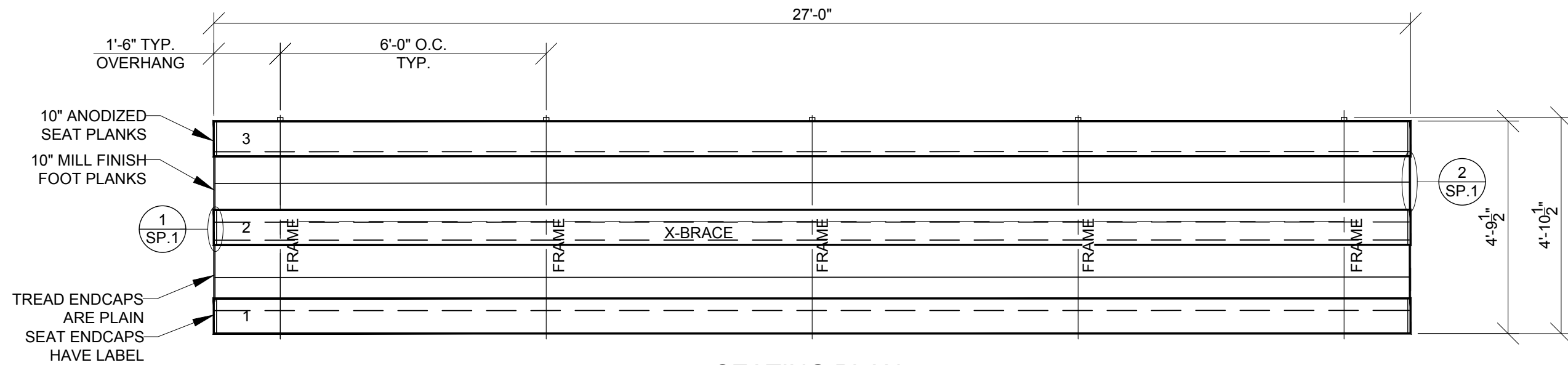
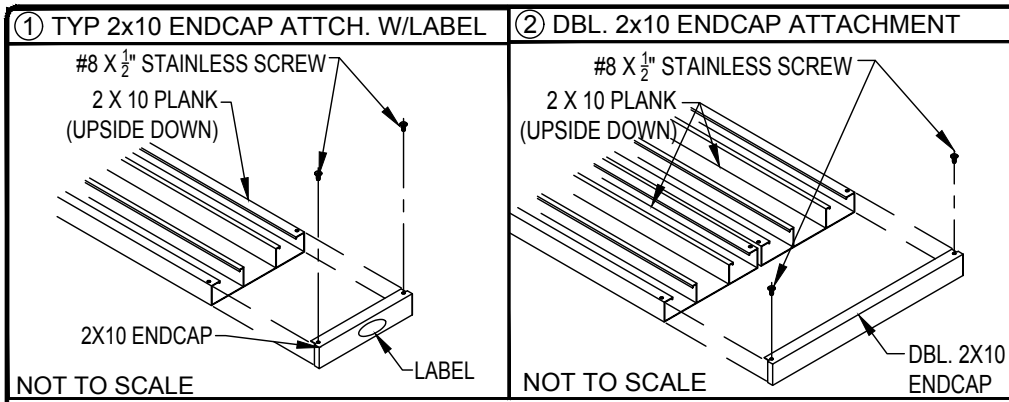
DRAWN BY
MME
CHECKED BY
TLC
DATE
11/01/2016
SCALE

JOB NO.

NR-0327AD
DWG NO.

CS.1

CS.1 - COVER SHEET
SP.1 - BLEACHER SEATING PLAN
FB.1 - FRAME AND BRACING
BA.1 - BLEACHER ASSEMBLY
FP.1 - FOUNDATION PLAN



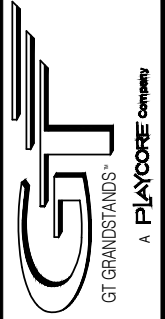
SEATING PLAN
SCALE: 3/8" = 1' - 0"

| SECTION LENGTH | GROSS SEATS | ACTUAL SEATS | NO. OF ROWS | NET SEATS |
|----------------|-------------|--------------|-----------------------------------|-----------|
| 27 | 18.00 | 18.00 | 3 | 54 |
| | | | <i>NET SEATS</i> | 54 |
| | | | <i>WHEELCHAIR SPACES</i> | 0 |
| | | | TOTAL NET SEATING CAPACITY | 54 |
| | | | <i>(BASED ON 18" PER SEAT)</i> | |

LOCAL CODES AND SPECIFICATIONS WILL VARY FROM REGION TO REGION AND WILL ALSO CHANGE OVER TIME. IT IS THE BUYER'S RESPONSIBILITY TO CHECK LOCAL CODES FOR COMPLIANCE.



2810 Sydney Road
Plant City, Florida 33566
Phone: 813-305-1415
Fax: 813-305-1419
www.gtgrandstands.com



SEATING PLAN
3 ROW BLEACHER
6" RISE / 10" SEAT

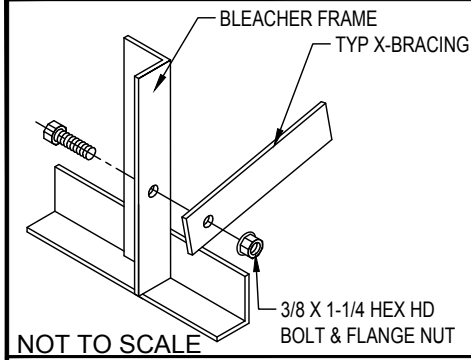
NR-0327AD
NR SERIES

DRAWN BY
MME
CHECKED BY
TLC
DATE
11/01/2016
SCALE
3/8" = 1' - 0"
JOB NO.

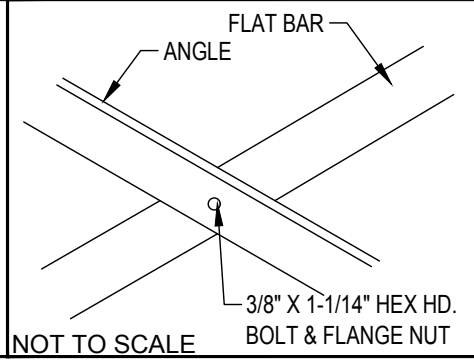
NR-0327AD
DWG NO.

SP.1

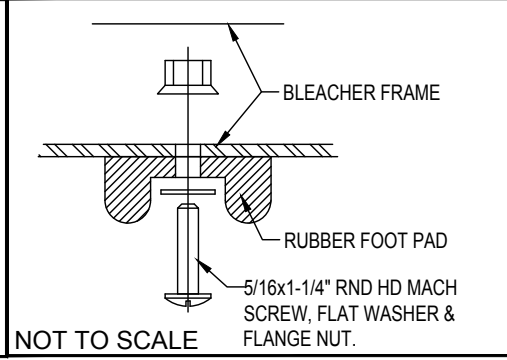
① TYP X-BRACE CONN. W/ 1 1/4" BOLT



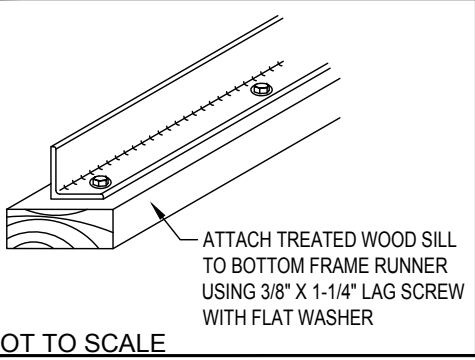
② TYP X-BRACE CONN. W/ 1 1/4" BOLT



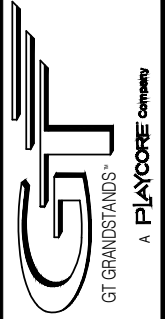
○ RUBBER FOOT PAD ATTACH. DETAIL



○ (OPTIONAL) MUD SILL ATTACHMENT



2810 Sydney Road
Plant City, Florida 33566
Phone: 813-305-1415
Fax: 813-305-1419
www.gtgrandstands.com



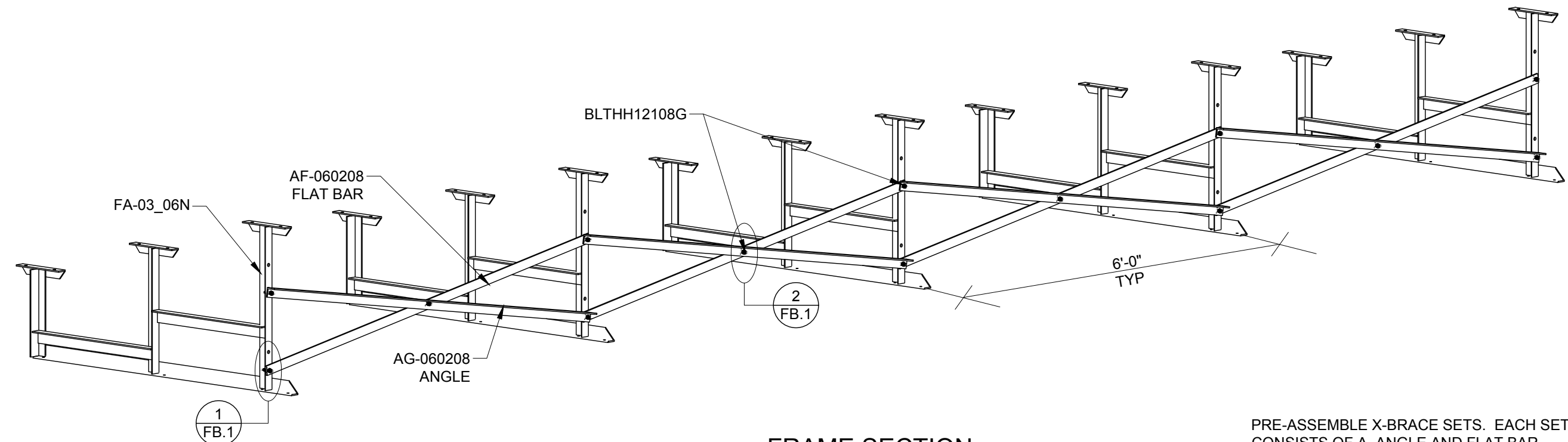
FRAME AND BRACING
3 ROW BLEACHER
6" RISE / 10" SEAT

NR-0327AD
OPTIONAL -MS (MUD SILL)
OPTIONAL -RB (RUBBER BUMPERS)

DRAWN BY
MME
CHECKED BY
TLC
DATE
11/01/2016
SCALE
AS SHOWN
JOB NO.

NR-0327AD
DWG NO.

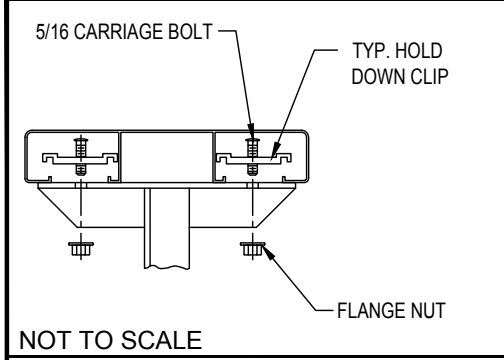
FB.1



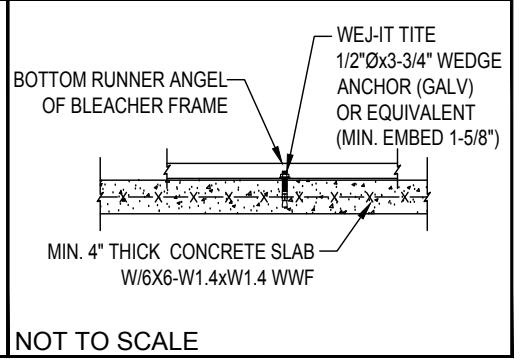
FRAME SECTION
SCALE: NTS

PRE-ASSEMBLE X-BRACE SETS. EACH SET
CONSISTS OF A ANGLE AND FLAT BAR.
PLACE THE PIECES TOGETHER AT THE FLAT
SIDE AND CONNECT USING A 3/8" X 1 1/4
HEX BOLT & FLANGE NUT.

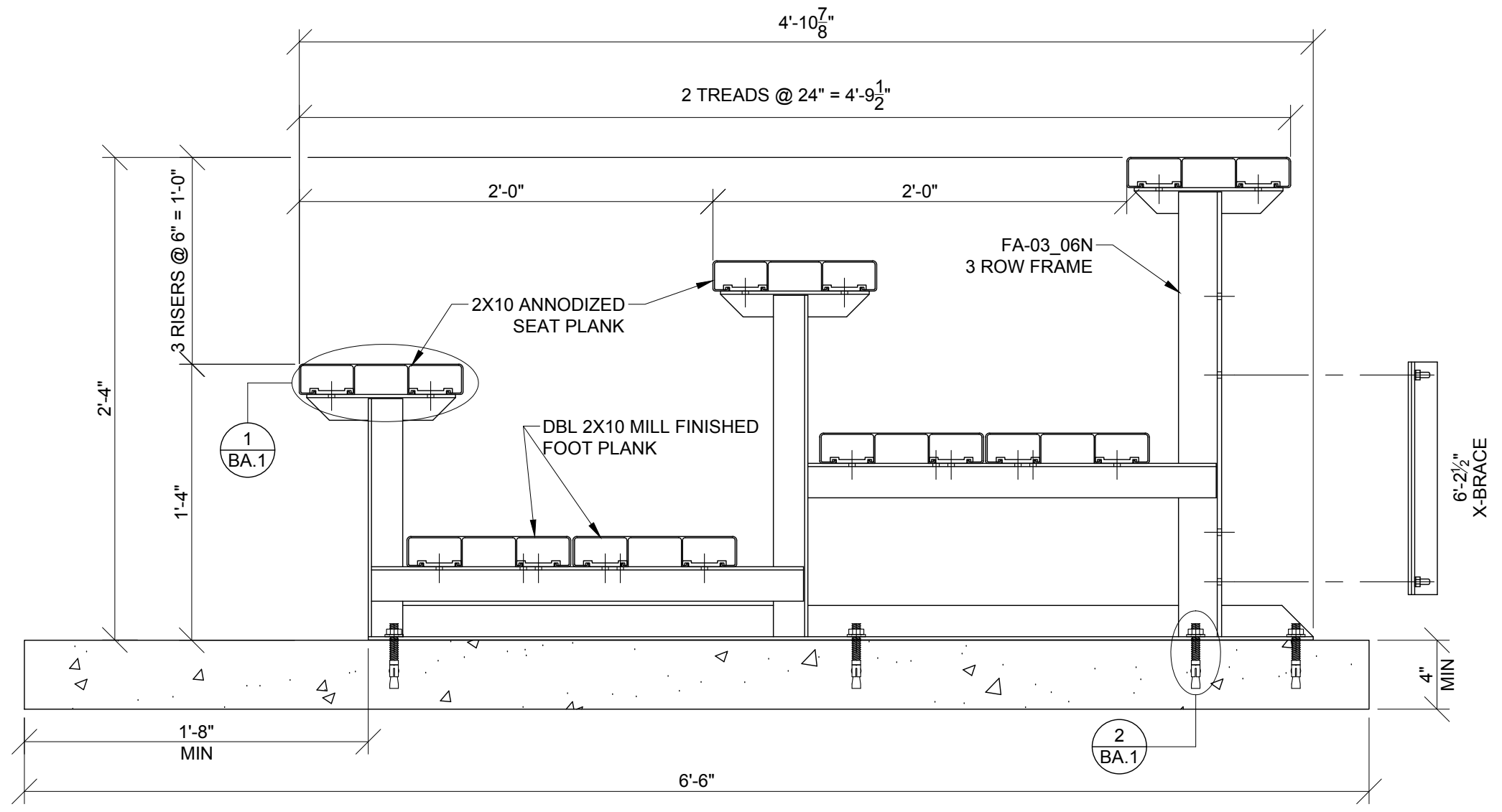
① TYP 2x10 PLANK ATTACHMENT



② OPTIONAL ANCHOR WEDGE DETAIL*



NOTE: LEAVE FLANGE NUT LOOSE UNTIL CLIPS HAVE BEEN SECURED TO PLANKS.



BLEACHER ASSEMBLY
SCALE: 1 1/2" = 1' - 0"

*CONCRETE WEDGE ANCHORS NOT INCLUDED WITH ALL UNITS. IF USING OTHER ANCHORING SYSTEM, SKIP THIS STEP AND REFER TO INSTRUCTIONS SPECIFIC TO THE ANCHORING SYSTEM PURCHASED FOR YOUR UNIT. SEE PRINT FP.1 (INCLUDED IN THIS PACKET) FOR GENERAL CONCRETE FOUNDATION SPECIFICATIONS.



2810 Sydney Road
Plant City, Florida 33566
Phone: 813-305-1415
Fax: 813-305-1419
www.gtgrandstands.com



BLEACHER ASSEMBLY
3 ROW BLEACHER
6" RISE / 10" SEAT

NR-0327AD
(OPTIONAL CONCRETE FOUNDATION)
NR SERIES

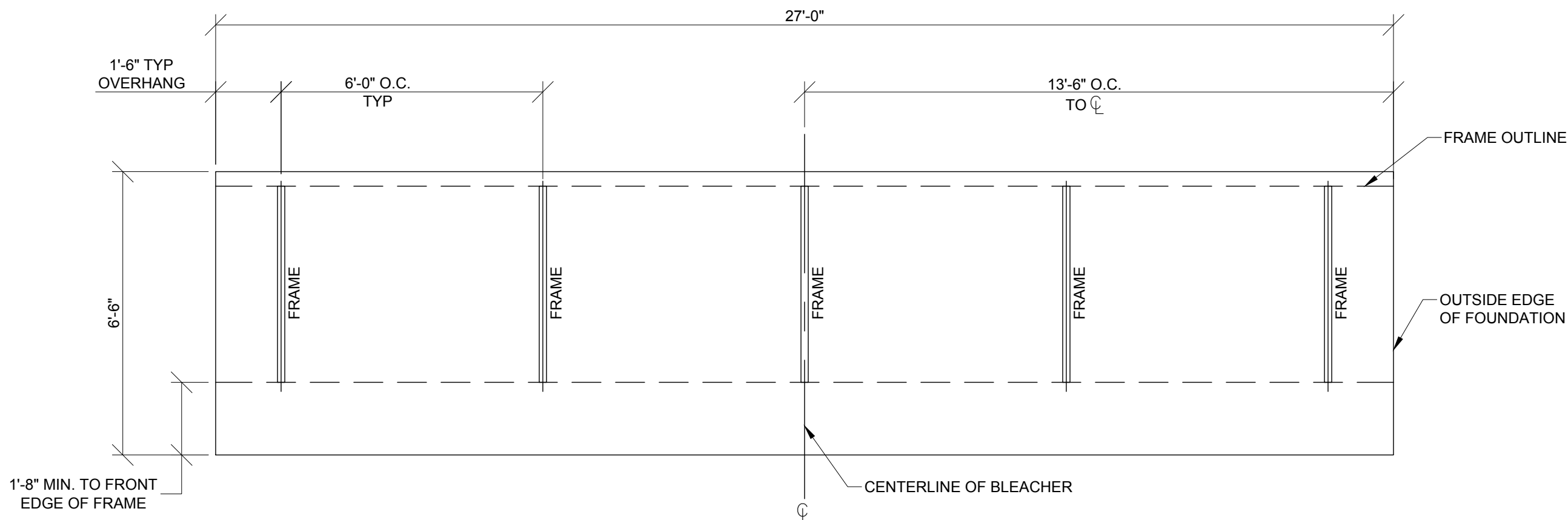
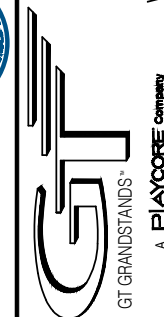
DRAWN BY
MME
CHECKED BY
TLC
DATE
11/01/2016
SCALE
AS SHOWN
JOB NO.

NR-0327AD
DWG NO.

BA.1



2810 Sydney Road
 Plant City, Florida 33566
 Phone: 813-305-1415
 Fax: 813-305-1419
 www.gtgrandstands.com



OPTIONAL FOUNDATION PLAN*

SCALE: 3/8" = 1' - 0"

FOUNDATION PLAN
 3 ROW BLEACHER
 6" RISE / 10" SEAT

NR-0327AD

NR SERIES

DRAWN BY
 MME
 CHECKED BY
 TLC
 DATE
 11/01/2016
 SCALE
 AS SHOWN
 JOB NO.

NR-0327AD
 DWG NO.

FP.1

* MINIMUM FOUNDATION AREA SHOWN. DEPENDING ON LOCAL SOIL CONDITIONS, BLEACHER CAN BE INSTALLED ON A CONCRETE PAD OR FOOTERS, OR ATTACHED TO 2x6 TREATED LUMBER GROUND SILLS AND PLACED ON COMPACTED STONE, ASPHALT, OR ANY OTHER SMOOTH, SOLID, LEVEL SURFACE. CONSULT YOUR LOCAL CONCRETE CONTRACTOR TO DETERMINE PROPER CONCRETE SPECIFICATIONS FOR YOUR LOCAL SOIL AND WEATHER-RELATED CONDITIONS. THE BEARING SURFACE MUST BE CAPABLE OF SUPPORTING A MINIMUM OF 660 POUNDS PER LINEAR FOOT. TO MEET LOCAL CODES, BLEACHERS WILL NEED TO BE ANCHORED. ANCHORING SYSTEMS FOR ALL SURFACE TYPES ARE AVAILABLE - CONTACT YOUR BLEACHER SALES REPRESENTATIVE FOR MORE INFORMATION.