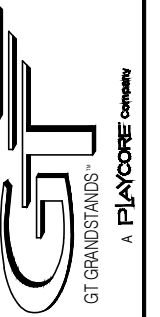


# ***ALUMINUM 5 ROW x 15'-0" - NATIONAL REP SERIES***

**MODEL**  
***NR-0515GMC-MS***

2810 Sydney Road  
Plant City, Florida 33566  
Phone: 813-305-1415  
Fax: 813-305-1419  
www.gtgrandstands.com



COVER SHEET  
5 ROW BLEACHER  
8" RISE / 10" SEAT

NR-0515AMC-MS  
NR SERIES

DRAWN BY

MME

CHECKED BY

DATE

08/29/17

SCALE

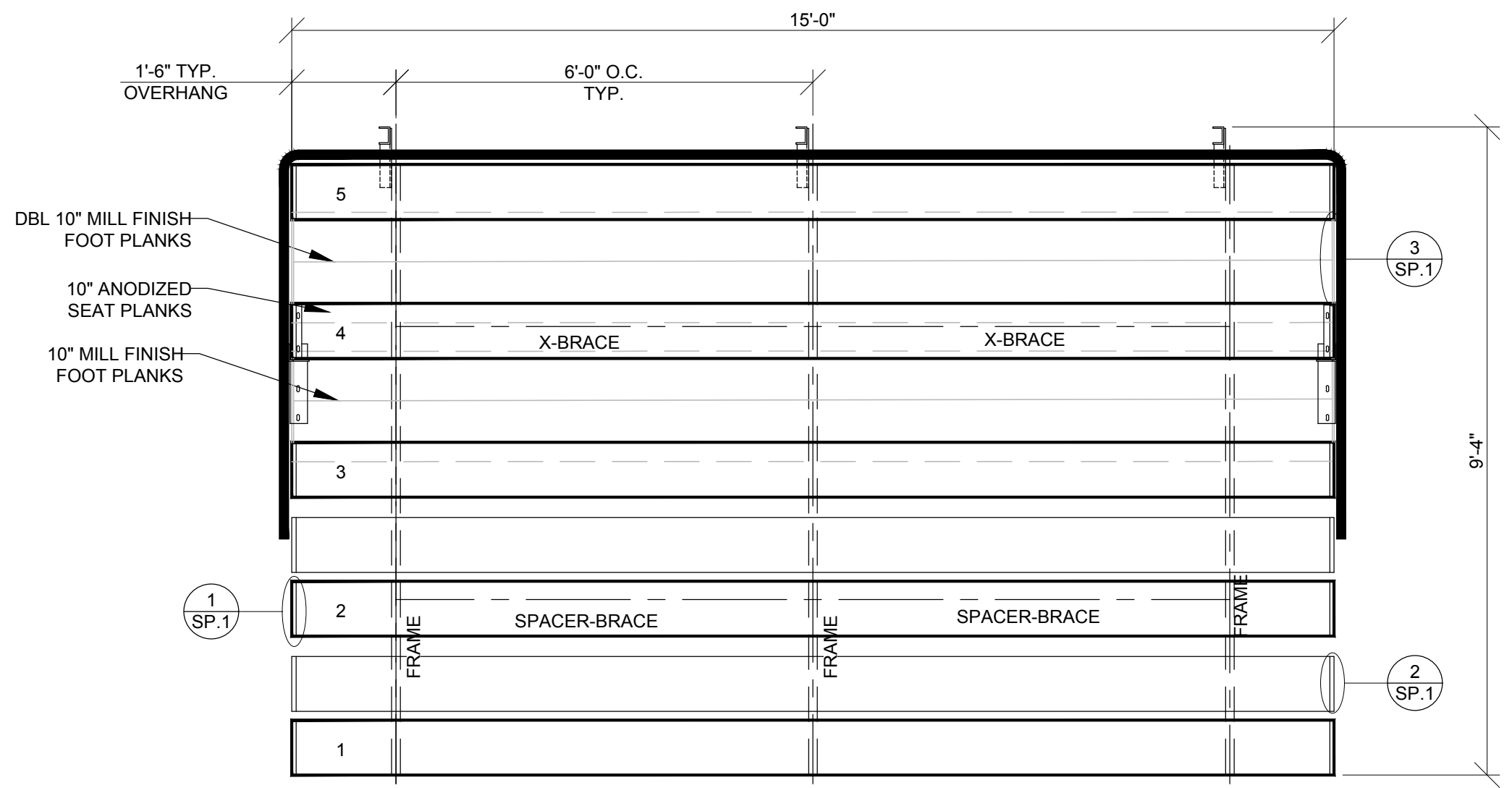
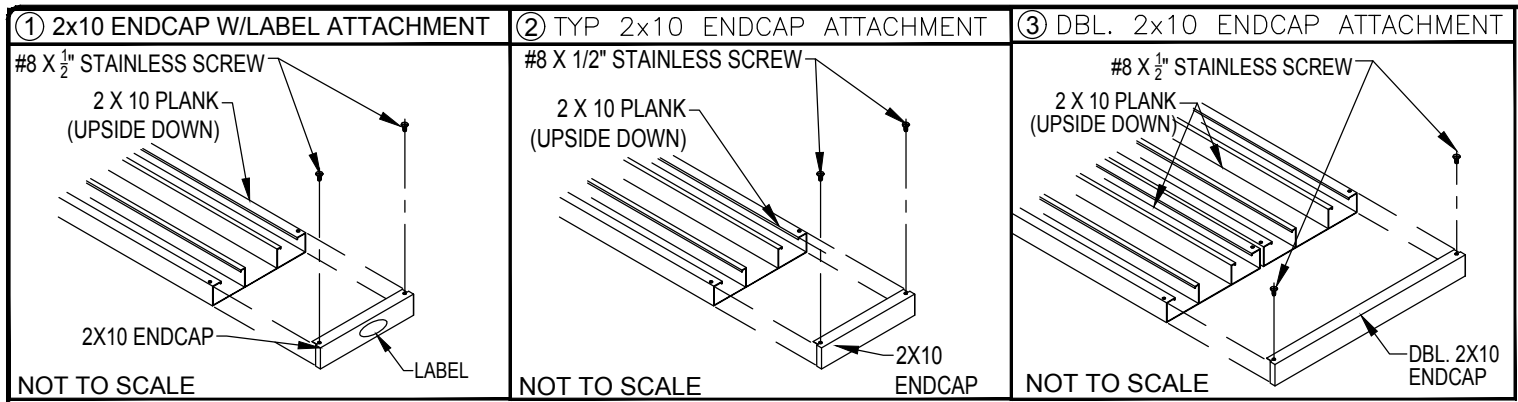
JOB NO.

NR-0515AMC-MS

DWG NO.

CS.1

CS.1 - COVER SHEET  
SP.1 - BLEACHER SEATING PLAN  
FB.1 - BLEACHER PREP  
FB.2 - FRAME AND BRACING  
BA.1 - BLEACHER ASSEMBLY  
GR.1 - GUARDRAIL ELEVATION



**SEATING PLAN**  
SCALE: 1/2" = 1' - 0"

SECTION LENGTH	GROSS SEATS	ACTUAL SEATS	NO. OF ROWS	NET SEATS
15	10.00	10.00	5	50
			<i>NET SEATS</i>	50
			<i>WHEELCHAIR SPACES</i>	0
			<b>TOTAL NET SEATING CAPACITY</b>	<b>50</b>
			(BASED ON 18" PER SEAT)	

LOCAL CODES AND SPECIFICATIONS WILL VARY FROM REGION TO REGION AND WILL ALSO CHANGE OVER TIME. IT IS THE BUYER'S RESPONSIBILITY TO CHECK LOCAL CODES FOR COMPLIANCE.

2810 Sydney Road  
Plant City, Florida 33566  
Phone: 813-305-1415  
Fax: 813-305-1419  
www.gtgrandstands.com

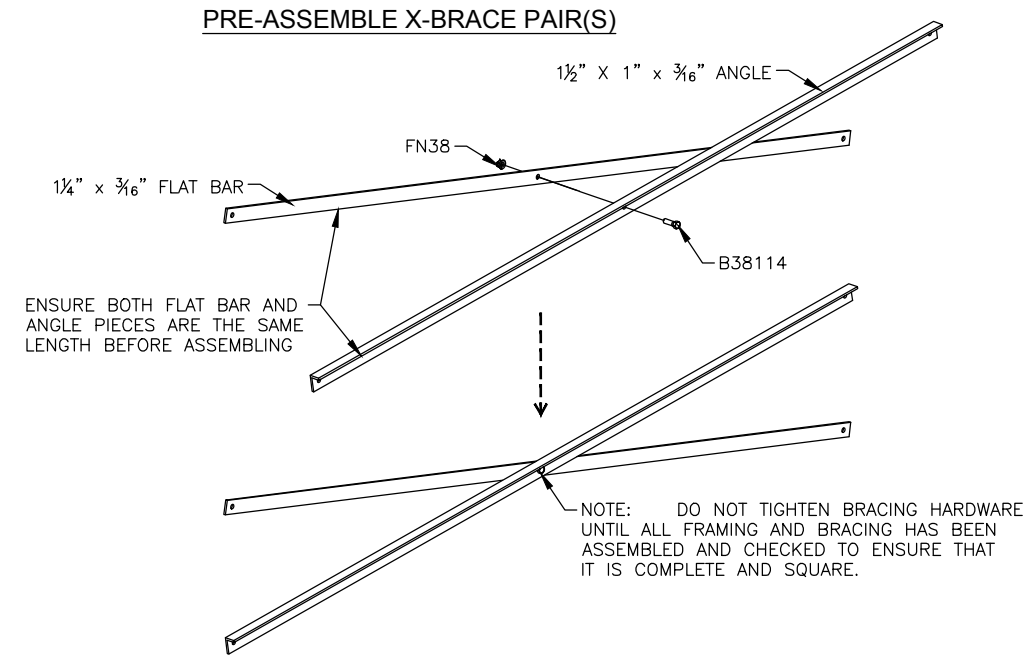
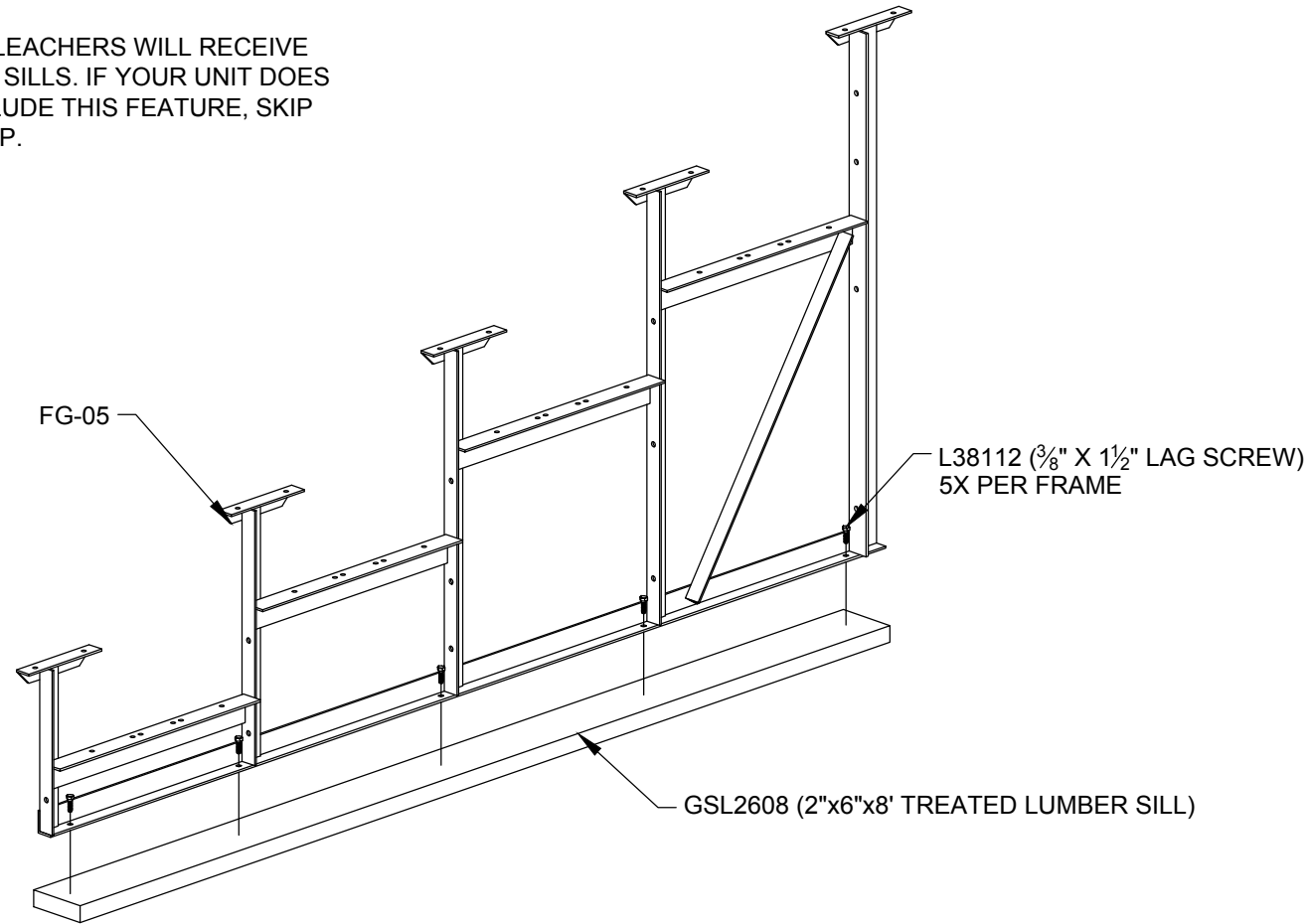
SEATING PLAN  
5 ROW BLEACHER  
8" RISE / 10" SEAT

NR-0515AMC-MS  
NR SERIES

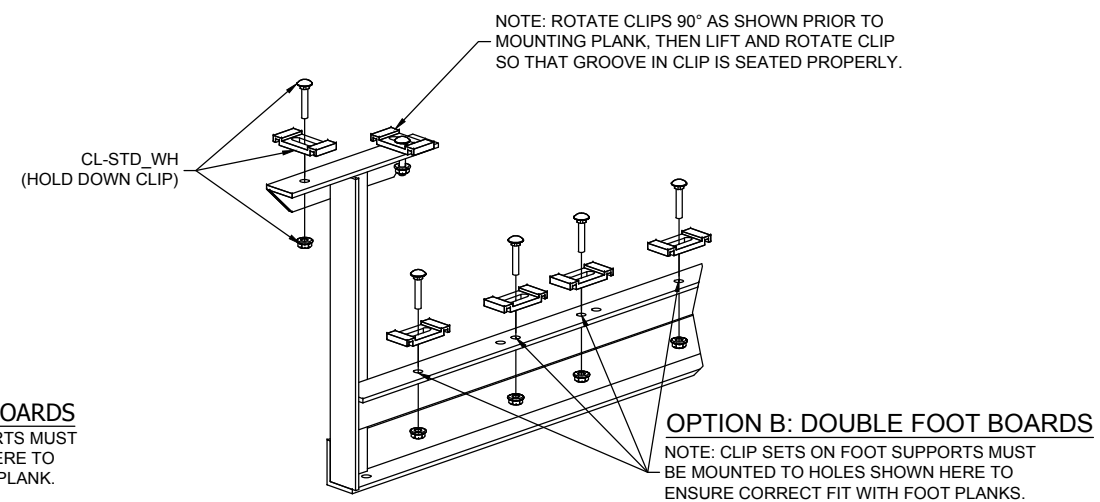
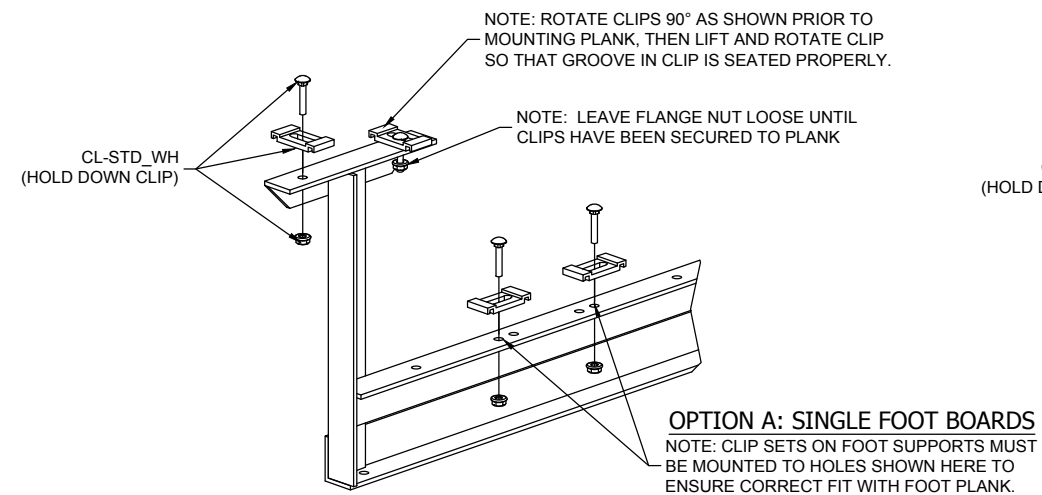
DRAWN BY  
MME  
CHECKED BY  
DATE  
08/29/17  
SCALE  
1/2" = 1' - 0"  
JOB NO.  
NR-0515AMC-MS  
DWG NO.  
SP.1

**(OPTIONAL) ATTACH GROUND SILLS \***

\*NOT ALL BLEACHERS WILL RECEIVE GROUND SILLS. IF YOUR UNIT DOES NOT INCLUDE THIS FEATURE, SKIP THIS STEP.



**ONCE FRAMING IS COMPLETE,  
PRE-ASSEMBLE CLIP SETS ON BLEACHER FRAMES**



2810 Sydney Road  
Plant City, Florida 33566  
Phone: 813-305-1415  
Fax: 813-305-1419  
www.gtgrandstands.com



BLEACHER PREP  
5 ROW BLEACHER  
8" RISE / 10" SEAT

NR-0515AMC-MS

NR SERIES

DRAWN BY  
MME

CHECKED BY

DATE  
08/29/17

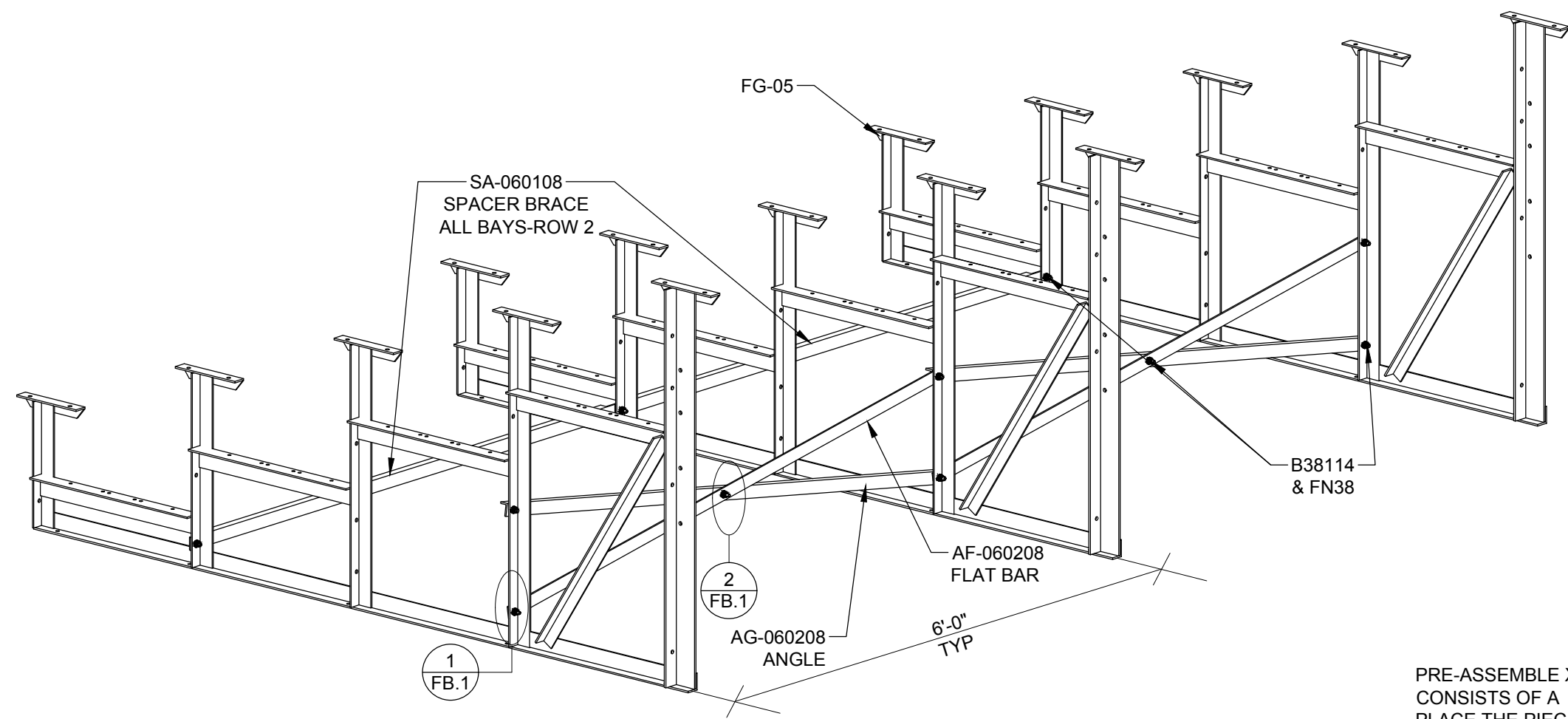
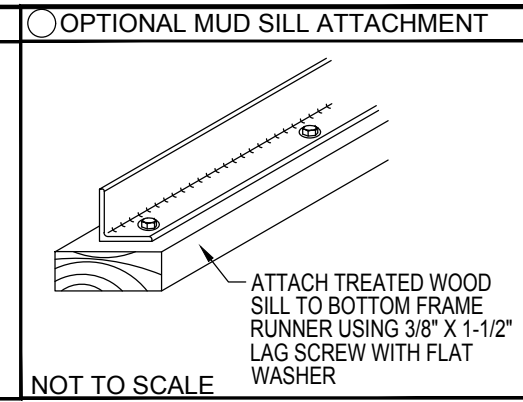
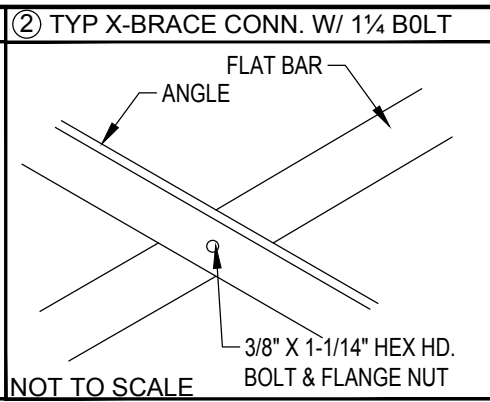
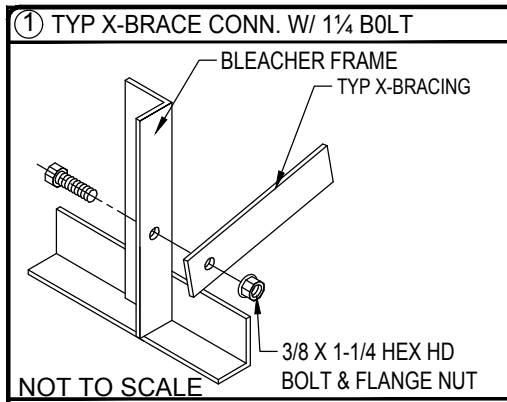
SCALE  
AS SHOWN

JOB NO.

NR-0515AMC-MS

DWG NO.

FB.1



**FRAME SECTION**  
SCALE: NTS

PRE-ASSEMBLE X-BRACE SETS. EACH SET CONSISTS OF A ANGLE AND FLAT BAR. PLACE THE PIECES TOGETHER AT THE FLAT SIDE AND CONNECT USING A 3/8" X 1 1/4 HEX BOLT & FLANGE NUT.

2810 Sydney Road  
Plant City, Florida 33566  
Phone: 813-305-1415  
Fax: 813-305-1419  
www.gtgrandstands.com

**GT**  
GT GRANDSTANDS™  
A PLAYCORE COMPANY

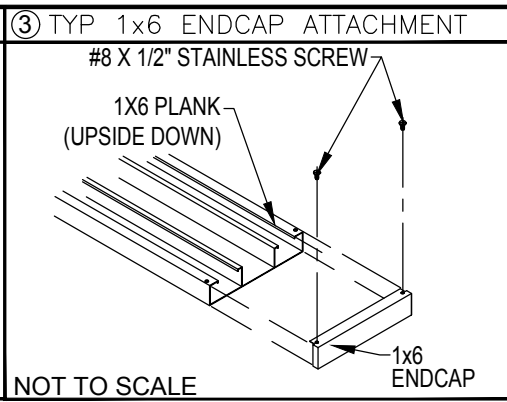
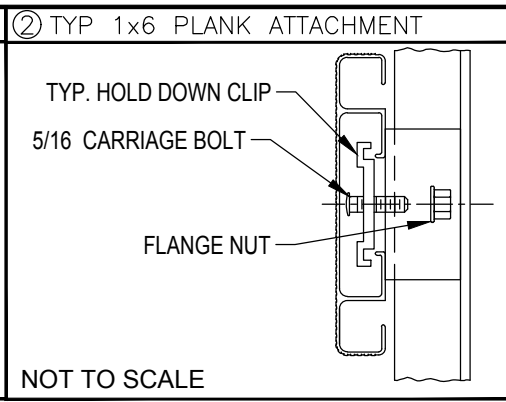
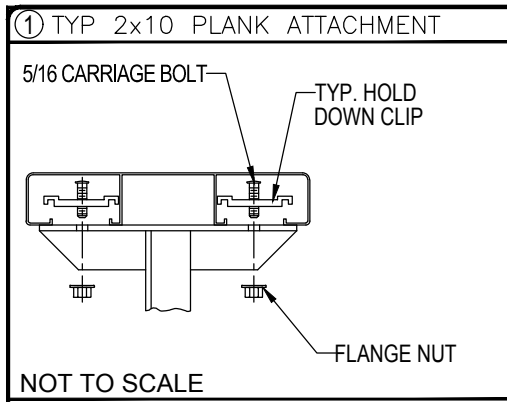
FRAME AND BRACING  
5 ROW BLEACHER  
8" RISE / 10" SEAT

NR-0515AMC-MS  
NR-SERIES

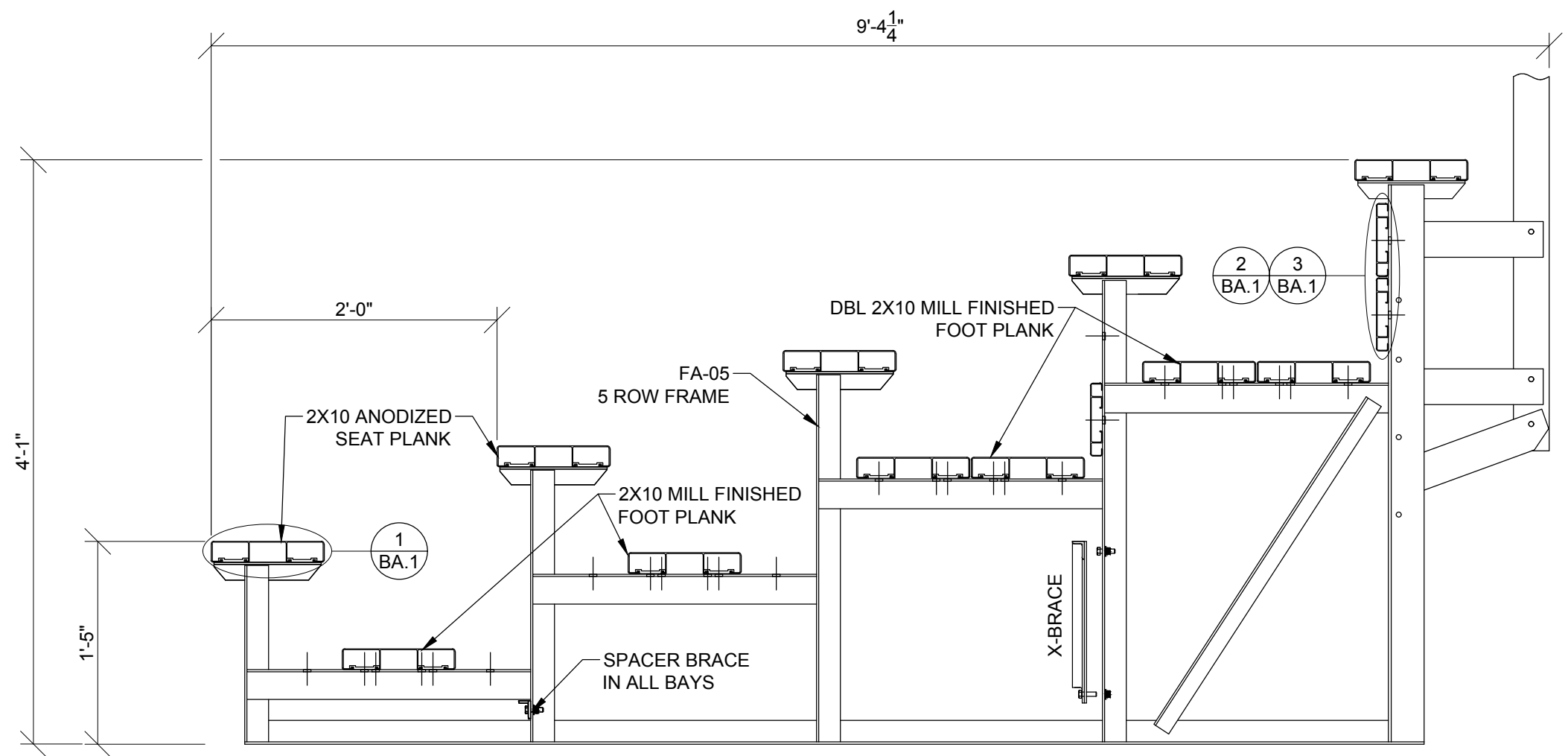
DRAWN BY  
MME  
CHECKED BY

DATE  
08/29/17  
SCALE  
AS SHOWN  
JOB NO.

NR-0515AMC-MS  
DWG NO.  
FB.2



NOTE: LEAVE FLANGE NUT LOOSE UNTIL CLIPS HAVE BEEN SECURED TO PLANKS.



**BLEACHER ASSEMBLY**  
SCALE: 1" = 1' - 0"

2810 Sydney Road  
Plant City, Florida 33566  
Phone: 813-305-1415  
Fax: 813-305-1419  
www.gtgrandstands.com

**GT**  
GT GRANDSTANDS™  
A PLAYCORE COMPANY

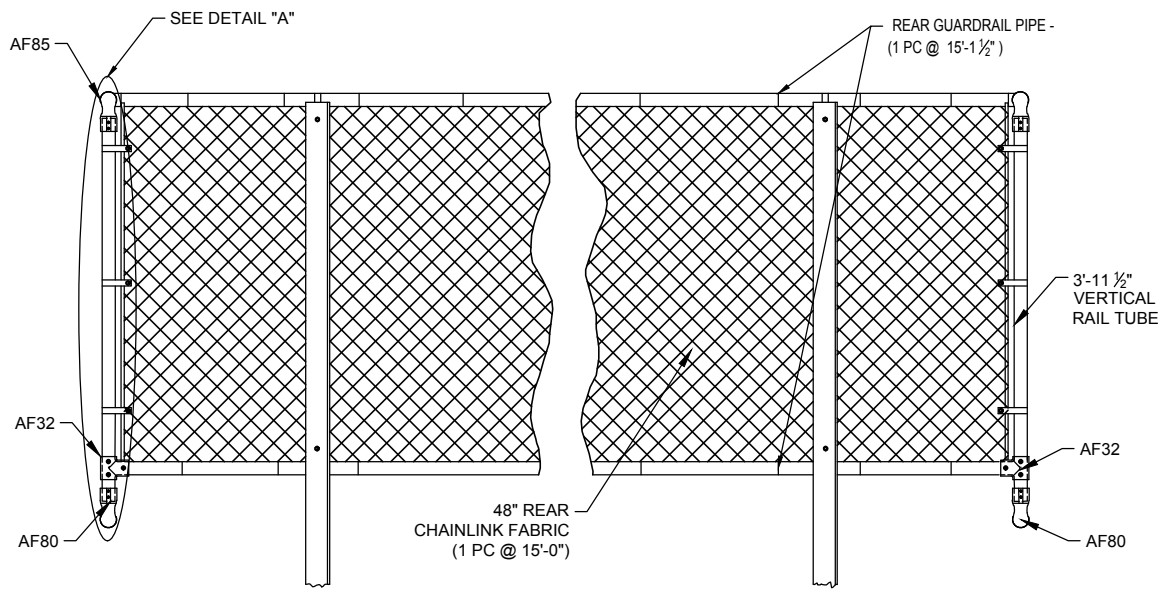
**BLEACHER ASSEMBLY**  
5 ROW BLEACHER  
8" RISE / 10" SEAT

NR-0515AMC-MS  
NR SERIES

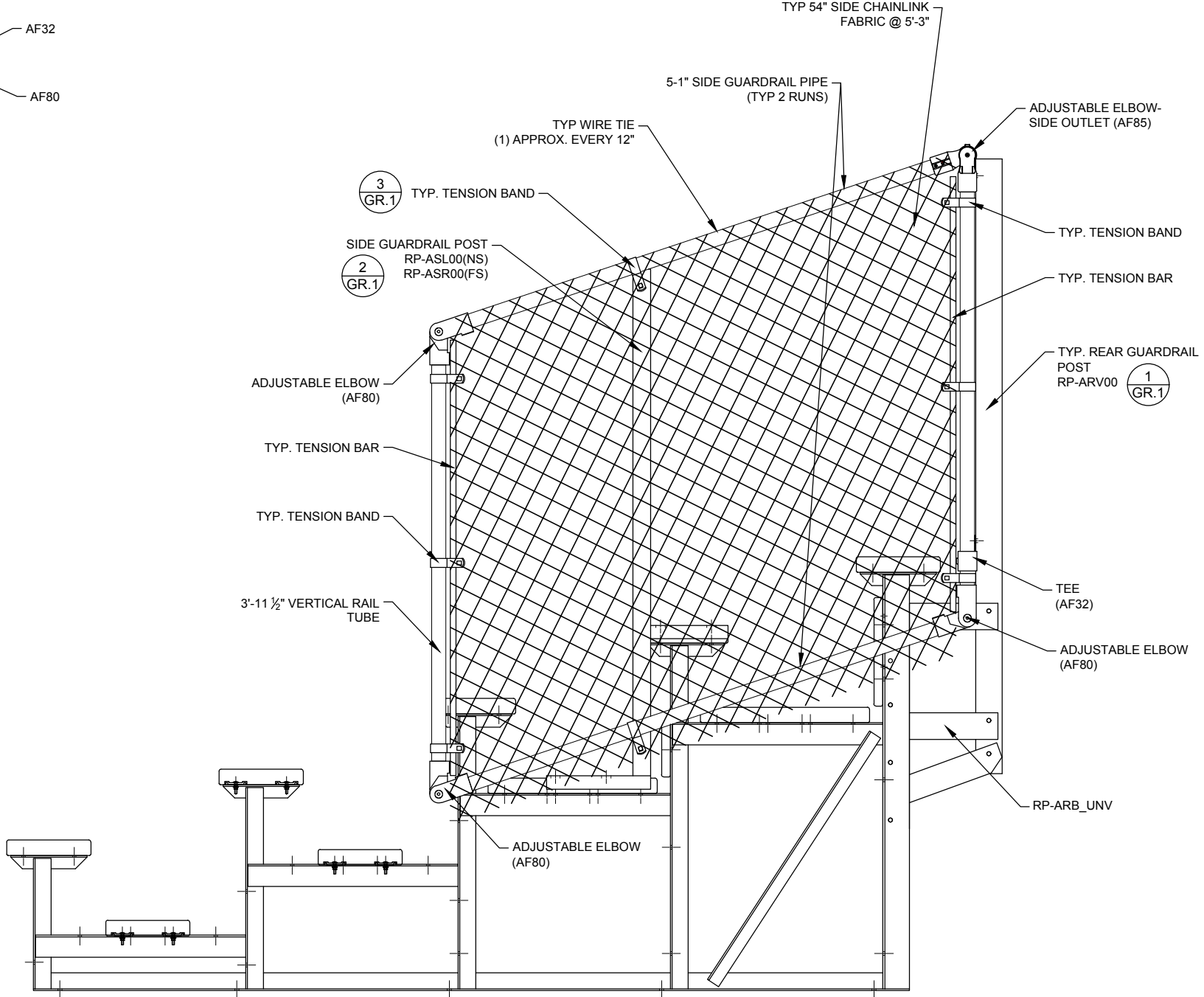
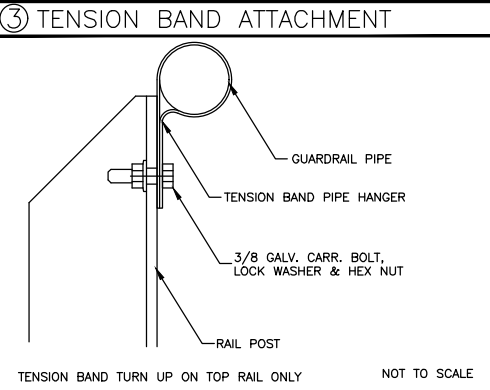
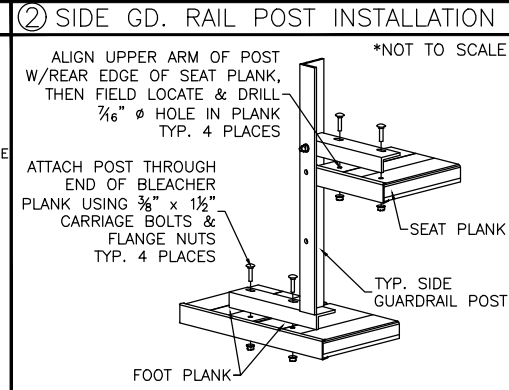
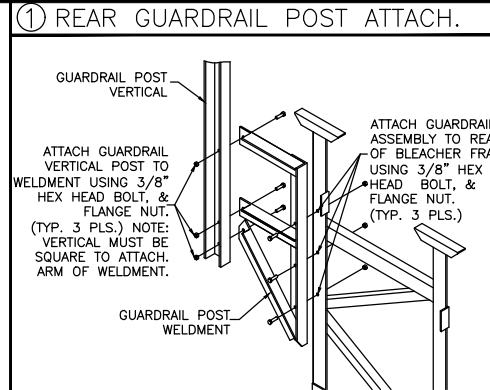
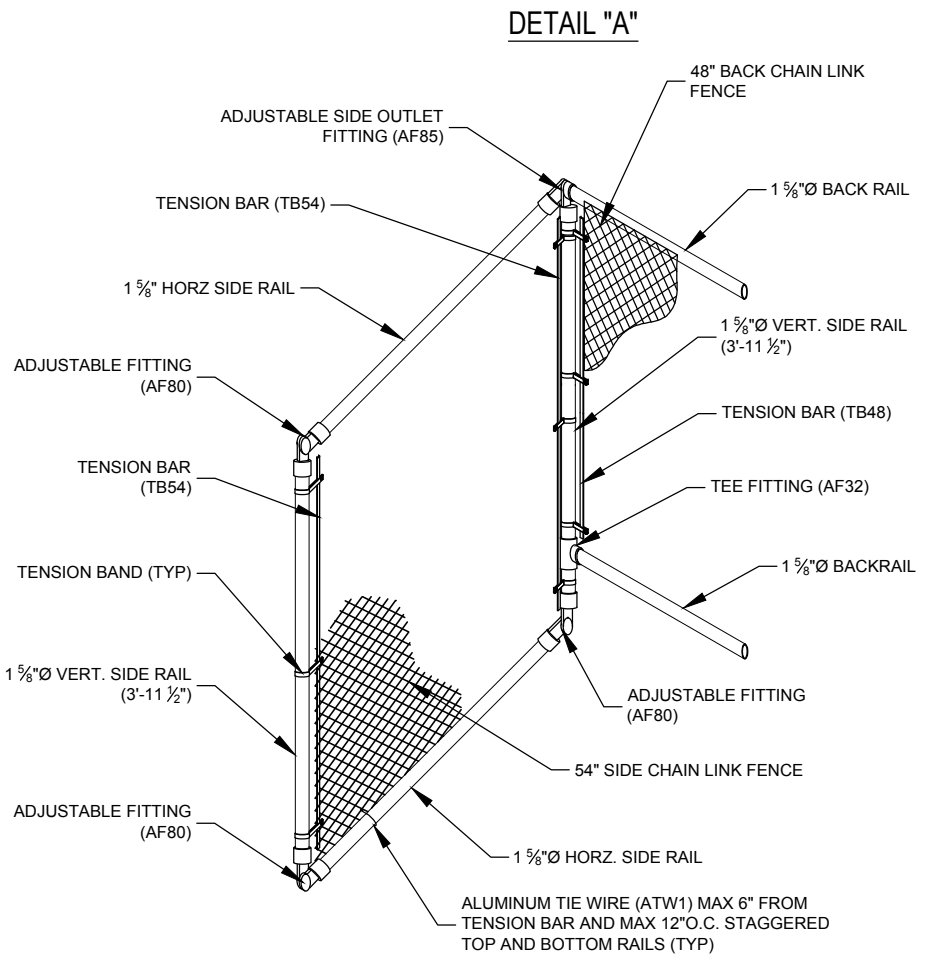
DRAWN BY  
MME  
CHECKED BY

DATE  
08/29/17  
SCALE  
AS SHOWN  
JOB NO.

NR-0515AMC-MS  
DWG NO.  
BA.1



**REAR GUARDRAIL**  
SCALE: NTS



**GUARDRAIL ELEVATION**  
SCALE: 3/4" = 1' - 0"

2810 Sydney Road  
Plant City, Florida 33566  
Phone: 813-305-1415  
Fax: 813-305-1419  
www.gtgrandstands.com

**GT**  
GT GRANDSTANDS™  
A PLAYCORE COMPANY

**GUARDRAIL ASSEMBLY**  
5 ROW BLEACHER  
8" RISE / 10" SEAT

NR-0515AMC-MS  
NR SERIES

DRAWN BY  
MME  
CHECKED BY  
DATE  
08/29/17  
SCALE  
AS SHOWN  
JOB NO.

NR-0515AMC-MS  
DWG NO.

GR.1